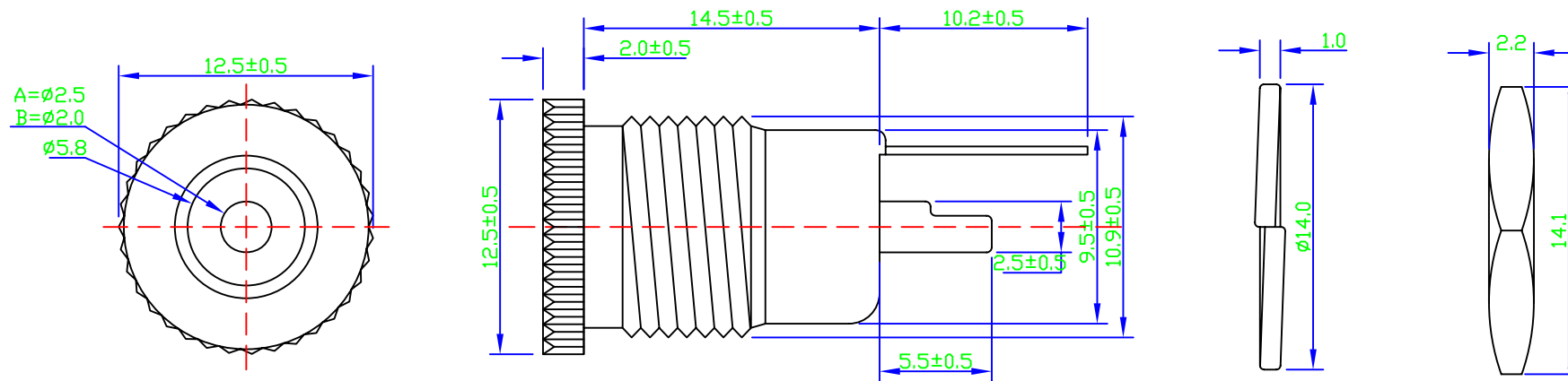


RoHS  
Compliant  
Drawing For  
Reference Only



Technical requirement :

1. This product should meet EU RoHS related requirement.
2. The surface of plastic part should be without any crackle such as burr,lack,and so on phenomenon.
3. The surface of metal part should be without any defect such as scaur,nick,oxidation and plating problem.
4. The electronic performance should be the same as spec.
5. The un-specified tolerance is :  $<6 \pm 0.1$   
 $6 \sim 20 \pm 0.2$   
 $>20 \pm 0.3$

**DCI** DRAGON CITY INDUSTRIES LIMITED

Design			K.W Law	Remark		Scale	
Drawing			W.K Yeung	Remark		Material	
Item Name	DC Power Jack	Tolerance :	Check	K.L Wong	Remark	Drawing No.	90429-1540
Item No.	DS-025	Unit : mm	Approval	K.W Chan	Remark	Sheet	