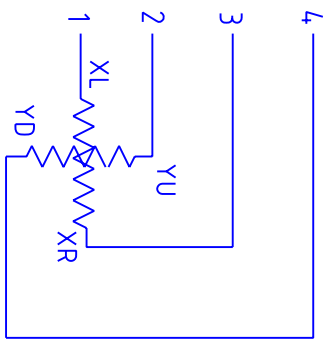
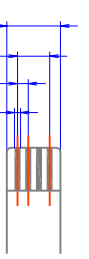


PIN ASSIGNMENT



SECTION A



TOLERANCE ± 0.5mm (0.02in)  
EXCEPT WHERE INDICATED  
UNIT = mm (inch)

1	ITO FILM (ANTI GLARE)
2	ITO GLASS
3	TAIL
4	REINFORCEMENT FILM
5	STIFFENER
6	PROTECTION TAPE

PART No.	AST-084A080A	DATE	Feb, 21, 2007
TYPE	STANDARD TOUCHSCREEN		
CIRCUIT DRAWING			DMC Co., Ltd.