

PRELIMINARY

**NLT Technologies, Ltd.**

# **TFT COLOR LCD MODULE**

**NLB070WV01L-01**

**18cm (7.0 Type)**

**WVGA**

**LVDS interface**

**PRELIMINARY DATA SHEET** 

**DOD-PP-1610(3rd edition)**

**This PRELIMINARY DATA SHEET is updated document from DOD-PP-1531(2)**

**All information is subject to change without notice. Please confirm the sales representative before starting to design your system.**

## INTRODUCTION

The Copyright to this document belongs to NLT Technologies, Ltd. (hereinafter called "NLT"). No part of this document will be used, reproduced or copied without prior written consent of NLT.

NLT does and will not assume any liability for infringement of patents, copyrights or other intellectual property rights of any third party arising out of or in connection with application of the products described herein except for that directly attributable to mechanisms and workmanship thereof. No license, express or implied, is granted under any patent, copyright or other intellectual property right of NLT.

Some electronic products would fail or malfunction at a certain rate. In spite of every effort to enhance reliability of products by NLT, the possibility of failures and malfunction might not be avoided entirely. To prevent the risks of damage to death, human bodily injury or other property arising out thereof or in connection therewith, each customer is required to take sufficient measures in its safety designs and plans including, but not limited to, redundant system, fire-containment and anti-failure.

The products are classified into three grades: "**Standard**", "**Special**", and "**Specific**".

Each quality grade is designed for applications described below. Any customer who intends to use a product for application other than that of **Standard** is required to contact an NLT sales representative in advance.

The **Standard**: Applications as any failure, malfunction or error of the products are free from any damage to death, human bodily injury or other property (Products Safety Issue) and not related the safety of the public (Social Issues), like general electric devices.

Examples: Office equipment, audio and visual equipment, communication equipment, test and measurement equipment, personal electronic equipment, home electronic appliances, car navigation system (with no vehicle control functions), seat entertainment monitor for vehicles and airplanes, fish finder (except marine radar integrated type), PDA, etc.

The **Special**: Applications as any failure, malfunction or error of the products might directly cause any damage to death, human bodily injury or other property (Products Safety Issue) and the safety of the public (Social Issues) and required high level reliability by conventional wisdom.

Examples: Vehicle/train/ship control system, traffic signals system, traffic information control system, air traffic control system, surgery/operation equipment monitor, disaster/crime prevention system, etc.

The **Specific**: Applications as any failure, malfunction or error of the products might severe cause any damage to death, human bodily injury or other property (Products Safety Issue) and the safety of the public (Social Issues) and developed, designed and manufactured in accordance with the standards or quality assurance program designated by the customer who requires extremely high level reliability and quality.

Examples: Aerospace system (except seat entertainment monitor), nuclear control system, life support system, etc.

The quality grade of this product is the "**Standard**" unless otherwise specified in this document.

# PRELIMINARY

## CONTENTS

<b>INTRODUCTION .....</b>	<b>2</b>
<b>1. OUTLINE.....</b>	<b>4</b>
1.1 STRUCTURE AND PRINCIPLE .....	4
1.2 APPLICATION .....	4
1.3 FEATURES .....	4
<b>2. GENERAL SPECIFICATIONS.....</b>	<b>5</b>
<b>3. BLOCK DIAGRAM.....</b>	<b>6</b>
<b>4. DETAILED SPECIFICATIONS.....</b>	<b>7</b>
4.1 MECHANICAL SPECIFICATIONS .....	7
4.2 ABSOLUTE MAXIMUM RATINGS.....	7
4.3 ELECTRICAL CHARACTERISTICS.....	8
4.3.1 LCD panel signal processing board .....	8
4.3.2 Backlight.....	9
4.3.3 Power supply voltage ripple.....	9
4.3.4 Fuse.....	9
4.4 POWER SUPPLY VOLTAGE SEQUENCE .....	10
4.4.1 LCD panel.....	10
4.4.2 LED driver board .....	10
4.5 CONNECTIONS AND FUNCTIONS FOR INTERFACE PINS .....	11
4.5.1 LCD panel signal processing board .....	11
4.5.2 Backlight.....	12
4.5.3 Positions of plug and socket .....	12
4.5.4 Connection between receiver and transmitter for LVDS .....	13
4.5.5 Input data mapping .....	14
4.6 DISPLAY COLORS AND INPUT DATA SIGNALS.....	14
4.7 DISPLAY POSITIONS .....	15
4.8 SCANNING DIRECTIONS .....	15
4.9 INPUT SIGNAL TIMINGS .....	16
4.9.1 Outline of input signal timings .....	16
4.9.2 Timing characteristics.....	17
4.9.3 Input signal timing chart .....	18
4.10 OPTICS.....	19
4.10.1 Optical characteristics .....	19
4.10.2 Definition of contrast ratio.....	20
4.10.3 Definition of luminance uniformity .....	20
4.10.4 Definition of response times .....	20
4.10.5 Definition of viewing angles.....	20
<b>5. ESTIMATED LUMINANCE LIFETIME.....</b>	<b>21</b>
<b>6. RELIABILITY TESTS .....</b>	<b>22</b>
<b>7. PRECAUTIONS .....</b>	<b>23</b>
7.1 MEANING OF CAUTION SIGNS .....	23
7.2 CAUTIONS .....	23
7.3 ATTENTIONS.....	23
7.3.1 Handling of the product .....	23
7.3.2 Environment.....	24
7.3.3 Characteristics.....	24
7.3.4 Others.....	24
<b>8. OUTLINE DRAWINGS.....</b>	<b>25</b>
8.1 FRONT VIEW .....	25
8.2 REAR VIEW .....	26
<b>REVISION HISTORY .....</b>	<b>27</b>

### 1. OUTLINE

#### 1.1 STRUCTURE AND PRINCIPLE

Color LCD module NLB070WV01L-01 is composed of the amorphous silicon thin film transistor liquid crystal display (a-Si TFT LCD) panel structure with driver LSIs for driving the TFT (Thin Film Transistor) array and a backlight.

The a-Si TFT LCD panel structure is injected liquid crystal material into a narrow gap between the TFT array glass substrate and a color-filter glass substrate.

Color (Red, Green, Blue) data signals from a host system (e.g. signal generator, etc.) are modulated into best form for active matrix system by a signal processing circuit, and sent to the driver LSIs which drive the individual TFT arrays.

The TFT array as an electro-optical switch regulates the amount of transmitted light from the backlight assembly, when it is controlled by data signals. Color images are created by regulating the amount of transmitted light through the TFT array of red, green and blue dots.

#### 1.2 APPLICATION

- For industrial use

#### 1.3 FEATURES

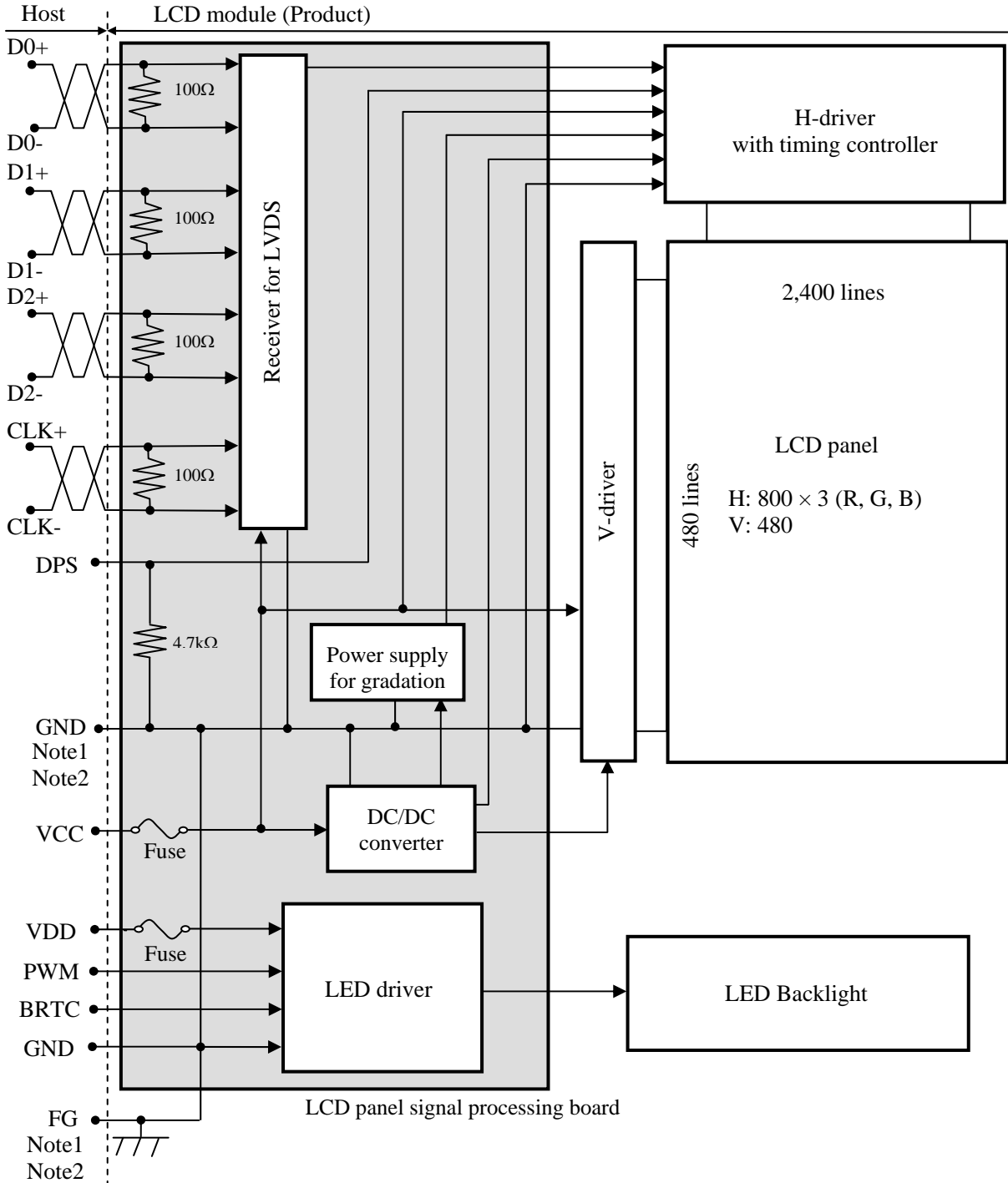
- High contrast
- LVDS interface
- Reversible-scan direction
- LED backlight type
- LED driver circuit Built-in
- Replaceable lamp for backlight

# PRELIMINARY

## 2. GENERAL SPECIFICATIONS

<b>Display area</b>	152.4 (H) × 91.44 (V) mm	
<b>Diagonal size of display</b>	18cm (7.0 inches)	
<b>Drive system</b>	a-Si TFT active matrix	
<b>Display color</b>	262,144 colors	
<b>Pixel</b>	800 (H) × 480 (V) pixels	
<b>Pixel arrangement</b>	RGB (Red dot, Green dot, Blue dot) vertical stripe	
<b>Dot pitch</b>	0.0635 (H) × 0.1905 (V) mm	
<b>Pixel pitch</b>	0.1905 (H) × 0.1905 (V) mm	
<b>Module size</b>	170.0 (H) × 111.0 (V) × 8.25 (D) mm (typ.)	
<b>Weight</b>	(160) g (typ.)	3
<b>Contrast ratio</b>	(800):1 (typ.)	
<b>Viewing angle</b>	At the contrast ratio $\geq 10:1$ <ul style="list-style-type: none"> <li>• Horizontal: Right side (70°) (typ.), Left side (70°) (typ.)</li> <li>• Vertical: Up side (70°) (typ.), Down side (70°) (typ.)</li> </ul>	3
<b>Designed viewing direction</b>	At DPS= Low or Open: Normal scan <ul style="list-style-type: none"> <li>• Viewing direction without image reversal: Up side (12 o'clock)</li> <li>• Viewing direction with contrast peak: Down side (6 o'clock)</li> <li>• Viewing angle with optimum grayscale (<math>\gamma \approx 2.2</math>): Normal axis (perpendicular)</li> </ul>	
<b>Polarizer surface</b>	Clear	
<b>Polarizer pencil-hardness</b>	3H (min.) [by JIS K5600]	
<b>Color gamut</b>	At LCD panel center (60%) (typ.) [against NTSC color space]	
<b>Response time</b>	Ton+Toff (10%←→90%) (18) ms (typ.)	
<b>Luminance</b>	At the maximum luminance control 300 cd/m <sup>2</sup> (typ.)	
<b>Signal system</b>	LVDS interface (1port) (Receiver: SN65LVDS86A-Q1 (Texas Instruments Inc.) or equivalent) 6bit digital signals for data of RGB colors, Dot clock (CLK), Data enable (DE)	
<b>Power supply voltage</b>	LCD panel: 3.3V LED backlight: 5.0 to 12.0V	
<b>Backlight</b>	LED backlight type built in LED Driver Circuit ( Replaceable part • Lamp holder set: Type No.70LHS201 )	3
<b>Power consumption</b>	At the maximum luminance control, VDD= 5.0V, Checkered flag pattern (1.7) W (typ.)	3

### 3. BLOCK DIAGRAM



Note1: Relations between GND (Signal ground and LED driver ground) and FG (Frame ground) in the LCD module are as follows.

GND - FG	Connected
----------	-----------

Note2: GND and FG must be connected to customer equipment's ground, and it is recommended that these grounds be connected together in customer equipment.

# PRELIMINARY

## 4. DETAILED SPECIFICATIONS

### 4.1 MECHANICAL SPECIFICATIONS

Parameter	Specification	Unit
Module size	170.0 ± 0.5 (W) × 111.0 ± 0.5 (H) × 8.25 ± 0.5 (D) Note1	mm
Display area	152.4 (H) × 91.44 (V) Note1	mm
Weight	(160) (typ.), (175) (max.)	g

Note1: See "8. OUTLINE DRAWINGS".

### 4.2 ABSOLUTE MAXIMUM RATINGS

Parameter	Symbol	Rating	Unit	Remarks	
Power supply voltage	LCD panel	VCC	-0.3 to 3.96	V	Ta= 25°C
	LED driver	VDD	-0.3 to 17.5		
Input voltage for signals	Display signals Note1	VD	-0.5 to VCC+0.5	V	
	Function signal Note2	VF	-0.5 to 4.6	V	
	Function signal for LED driver	PWM	-0.3 to (11.2)	V	
BRTC		V			
Storage temperature		Tst	-30 to +80	°C	
Operating temperature	Front surface	TopF	-20 to +70	°C	Note3
	Rear surface	TopR	-20 to +70	°C	Note4
Relative humidity Note5	RH	≤ 90	%	Ta ≤ 40°C	
		≤ 80	%	40 < Ta ≤ 50°C	
Absolute humidity Note5	AH	≤ 70	g/m <sup>3</sup>	Ta > 50°C	

Note1: D0+/-, D1+/-, D2+/-, and CLK+/-

Note2: DPS

Note3: Measured at center of LCD panel surface (including self-heat)

Note4: Measured at center of LCD module's rear shield surface (including self-heat)

Note5: No condensation.

# PRELIMINARY

## 4.3 ELECTRICAL CHARACTERISTICS

### 4.3.1 LCD panel signal processing board

(Ta= 25°C)

Parameter	Symbol	min.	typ.	max.	Unit	Remarks	
Power supply voltage	VCC	3.0	3.3	3.6	V	-	
Power supply current	ICC	-	(150) Note1	(250) Note2	mA	at VCC= 3.3V	
Permissible ripple voltage	VRPC	-	-	100	mVp-p	for VCC	
Differential input threshold voltage	High	VTH	-	-	+100	mV	at VCM= 2.1 V Note3
	Low	VTL	-100	-	-	mV	
Terminating resistance	RT	-	100	-	Ω	-	
Input voltage for DPS signals	High	VFH	0.7VCC	-	VCC	V	-
	Low	VFL	0	-	(0.5)	V	
Input current for DPS signals	High	IFH	-	-	TBD	μA	-
	Low	IFL	TBD	-	-	μA	

Note1: Checkered flag pattern [by EIAJ ED-2522]

Note2: Pattern for maximum current

Note3: Common mode voltage for LVDS receiver



### 4.3.2 Backlight

(Ta= 25°C)

Parameter	Symbol	min.	typ.	max.	Unit	Remarks
Power supply voltage	VDD	4.5	-	12.6	V	Note1
Power supply current	IDD	-	(240)	(260) Note2	mA	At VCC = 5.0V Note8
		-	(100)	(110) Note2	mA	At VCC = 12.0V Note8
Permissible ripple voltage	VRPD	-	-	200	mVp-p	for VDD
Input voltage for PWM signal	High	VDFH1	2.0	-	(5.5)	V
	Low	VDFL1	0	-	0.8	V
Input voltage for BRTC signal	High	VDFH2	2.0	-	(5.5)	V
	Low	VDFL2	0	-	0.8	V
PWM frequency	f <sub>PWM</sub>	(100)	-	(1000)	Hz	Note4, Note5
PWM duty ratio	DR <sub>PWM</sub>	1	-	100	%	Note6, Note7
PWM pulse width	t <sub>PWH</sub>	10	-	-	μs	

Note1: When designing of the power supply, take the measures for the prevention of surge voltage.

Note2: This value excludes peak current such as overshoot current.

Note3: The power supply lines (VDD and GND) may have ripple voltage during luminance control of LED. There is the possibility that the ripple voltage produces acoustic noise and signal wave noise in audio circuit and so on. Put a capacitor between the power supply lines (VDD and GND) to reduce the noise if necessary.

Note4: A recommended f<sub>PWM</sub> value is as follows.

$$f_{PWM} = \frac{2n - 1}{4} \times fv$$

(n = integer, fv = frame frequency of LCD module)

Note5: Depending on the frequency used, so noise may appear on the screen, please conduct a thorough evaluation.

Note6: While the BRTC signal is high, do not set the t<sub>PWH</sub> (PWM pulse width) is less than 10μs. It may cause abnormal working of the backlight. In this case, turn the backlight off and then on again by BRTC signal.

Note7: Regardless of the PWM frequency, both PWM duty ratio and PWM pulse width must be always more than the minimum values.

Note8: At the maximum luminance control.

### 4.3.3 Power supply voltage ripple

This product works, even if the ripple voltage levels are over the permissible values as the following table, but there might be noise on the display image.

Power supply voltage	Ripple voltage (Measure at input terminal of power supply)	Note1	Unit
VCC	3.3V	≤ 100	mVp-p
VDD	5.0 to 12.0 V	≤ 200	mVp-p

Note1: The permissible ripple voltage includes spike noise.

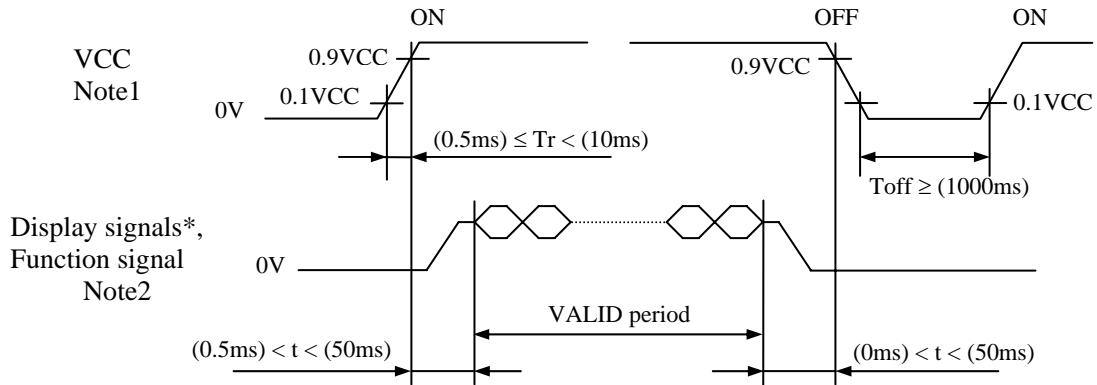
### 4.3.4 Fuse

Parameter	Fuse		Rating	Fusing current	Remarks
	Type	Supplier			
VCC	FCC16152AB	KAMAYA ELECTRIC CO.,LTD	1.5A	3.0A	Note1
			36V		
VDD	FCC16152AB	KAMAYA ELECTRIC CO.,LTD	1.5A	3.0A	
			36V		

Note1: The power supply's rated current must be more than the fusing current. If it is less than the fusing current, the fuse may not blow in a short time, and then nasty smell, smoke and so on may occur.

### 4.4 POWER SUPPLY VOLTAGE SEQUENCE

#### 4.4.1 LCD panel



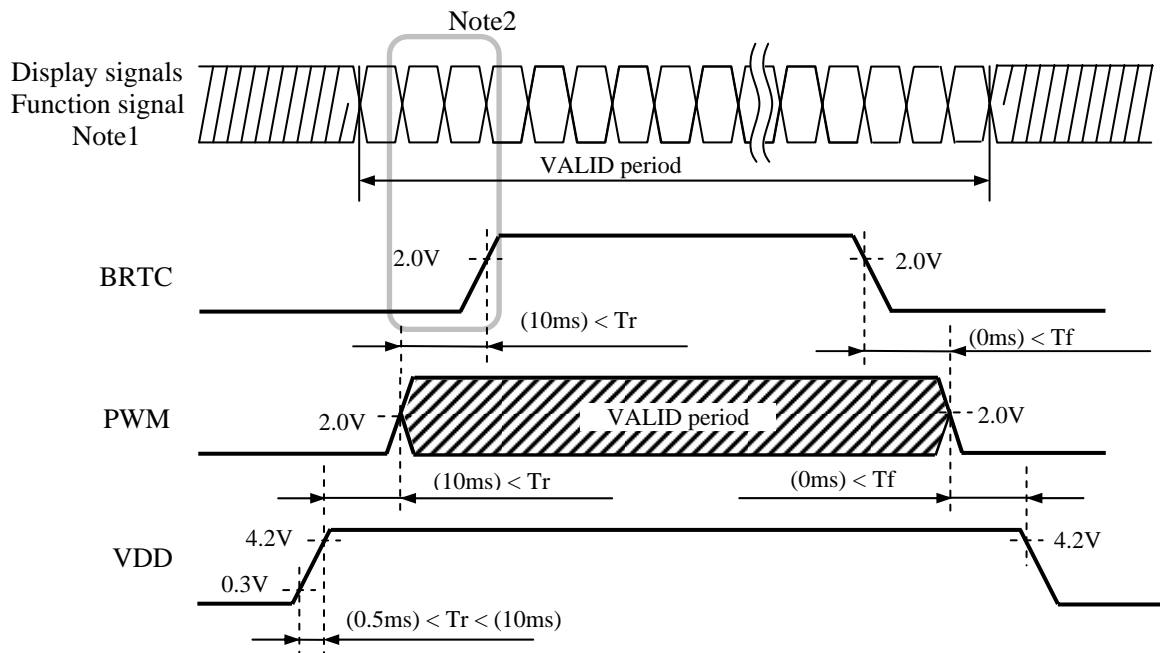
\* These signals should be measured at the terminal of 100Ω resistance.

Note1: If there is a voltage variation (voltage drop) at the rising edge of VCC below 3.0V, there is a possibility that a product does not work due to a protection circuit.

Note2: Display signals (D0+/-, D1+/-, D2+/-, and CLK+/-) and function signal (DPS) must be set to Low or High-impedance, except the VALID period (See above sequence diagram), in order to avoid the circuitry damage.

If some of display and function signals of this product are cut while this product is working, even if the signal input to it once again, it might not work normally. If a customer stops the display and function signals, VCC also must be shut down.

#### 4.4.2 LED driver board



Note1: These are the display and function signals for LCD panel signal processing board.

Note2: The backlight should be turned on within the valid period of display and function signals, in order to avoid unstable data display.

# PRELIMINARY

## 4.5 CONNECTIONS AND FUNCTIONS FOR INTERFACE PINS

### 4.5.1 LCD panel signal processing board

CN1 socket (LCD module side): FI-SE20P-HFE (Japan Aviation Electronics Industry Limited (JAE))  
 Adaptable plug: FI-S20S (Japan Aviation Electronics Industry Limited (JAE))

Pin No.	Symbol	Signal	Remarks
1	GND	Ground	Note4
2	GND		
3	DPS	Selection of scan direction	High: Reverse scan Low or Open: Normal scan Note2
4	N.C.	-	Keep this pin Open
5	GND	Ground	Note4
6	CLK+	Pixel clock	Note3
7	CLK-		
8	GND	Ground	Note4
9	D2+	Pixel data (B2-B5,DE)	Note1, Note3
10	D2-		
11	GND	Ground	Note4
12	D1+	Pixel data (G1-G5,B0-B1)	Note1, Note3
13	D1-		
14	GND	Ground	Note4
15	D0+	Pixel data (R0-R5,G0)	Note1, Note3
16	D0-		
17	GND	Ground	Note4
18	GND		
19	VCC	Power supply	Note4
20	VCC		

Note1: See "**4.6 DISPLAY COLORS AND INPUT DATA SIGNALS**".

Note2: See "**4.8 SCANNING DIRECTIONS**".

Note3: Twist pair wires with 100Ω (Characteristic impedance) should be used between LCD panel signal processing board and LVDS transmitter.

Note4: All GND and VCC terminals should be used without any non-connected lines.

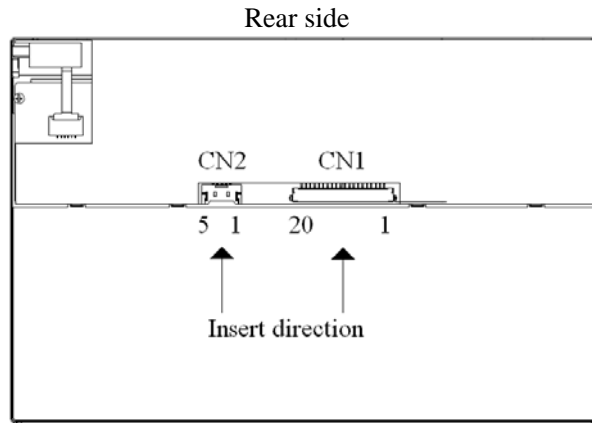
### 4.5.2 Backlight

CN2 socket (LCD module side): MSB24038P5 (Produced by STM)

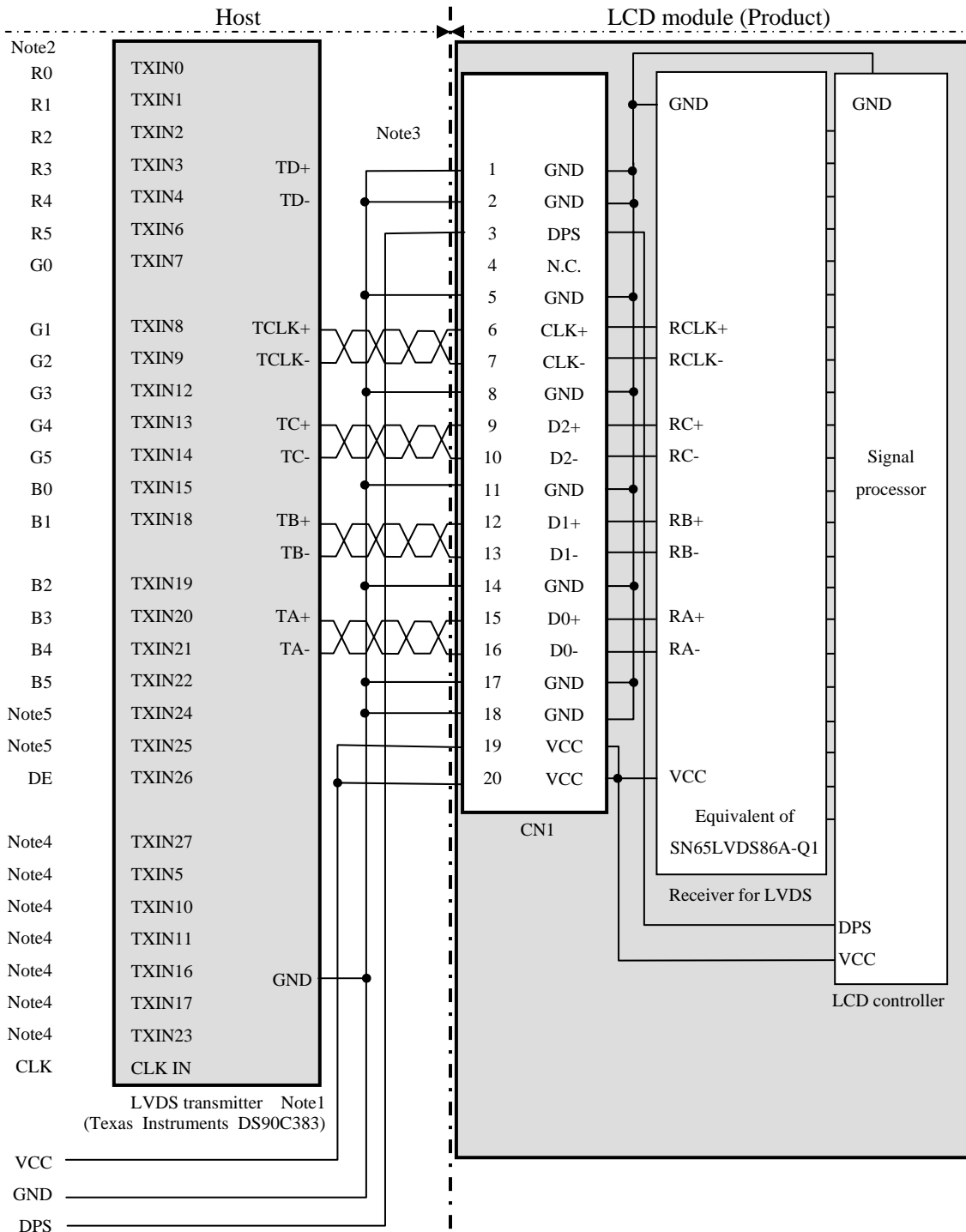
Adaptable plug: P24038P5 (Produced by STM)

Pin No.	Symbol	Signal	Remarks
1	VDD	Power supply	-
2	GND	Ground	-
3	BRTC	Back light ON/OFF control	High-ON / Low-OFF
4	PWM	Luminance control	PWM Dimming
5	N. C.	Non connection	Keep this pin Open.

### 4.5.3 Positions of plug and socket



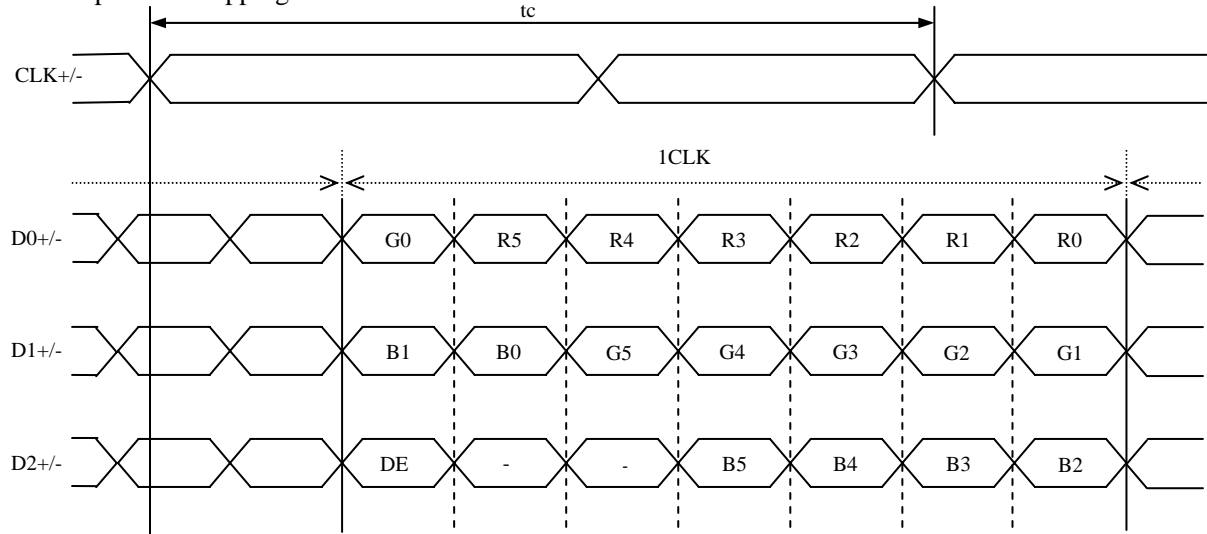
4.5.4 Connection between receiver and transmitter for LVDS



- Note1: Recommended transmitter: DS90C383 (Texas Instrument) or equivalent
- Note2: LSB (Least Significant Bit) - R0, G0, B0 MSB (Most Significant Bit) - R5, G5, B5
- Note3: Twist pair wires with 100Ω (Characteristic impedance) should be used between LCD panel signal processing board and LVDS transmitter.
- Note4: Input signals to TXIN27, TXIN5, TXIN10, TXIN11, TXIN16, TXIN17 and TXIN23 are not used inside the product, but do not keep TXIN27, TXIN5, TXIN10, TXIN11, TXIN16, TXIN17 and TXIN23 open to avoid noise problem.
- Note5: Keep TXIN24 and TXIN25 High level.

# PRELIMINARY

### 4.5.5 Input data mapping



### 4.6 DISPLAY COLORS AND INPUT DATA SIGNALS

This product can display in equivalent to 262,144 colors in 64 gray scales by combination between input data signals. See following table.

Display colors		Data signal (0: Low level, 1: High level)																	
		R5	R4	R3	R2	R1	R0	G5	G4	G3	G2	G1	G0	B5	B4	B3	B2	B1	B0
Basic colors	Black	0	0	0	0	0	0	0	0	0	0	0	0	0	0	0	0	0	0
	Blue	0	0	0	0	0	0	0	0	0	0	0	0	1	1	1	1	1	1
	Red	1	1	1	1	1	1	0	0	0	0	0	0	0	0	0	0	0	0
	Magenta	1	1	1	1	1	1	0	0	0	0	0	0	1	1	1	1	1	1
	Green	0	0	0	0	0	0	1	1	1	1	1	1	0	0	0	0	0	0
	Cyan	0	0	0	0	0	0	1	1	1	1	1	1	1	1	1	1	1	1
	Yellow	1	1	1	1	1	1	1	1	1	1	1	1	0	0	0	0	0	0
	White	1	1	1	1	1	1	1	1	1	1	1	1	1	1	1	1	1	1
Red gray scale	Black	0	0	0	0	0	0	0	0	0	0	0	0	0	0	0	0	0	0
	dark	0	0	0	0	0	1	0	0	0	0	0	0	0	0	0	0	0	0
	↑				⋮														
	↓				⋮														
	bright	1	1	1	1	0	1	0	0	0	0	0	0	0	0	0	0	0	0
Red	1	1	1	1	1	0	0	0	0	0	0	0	0	0	0	0	0	0	
Green gray scale	Black	0	0	0	0	0	0	0	0	0	0	0	0	0	0	0	0	0	0
	dark	0	0	0	0	0	0	0	0	0	0	1	0	0	0	0	0	0	0
	↑				⋮														
	↓				⋮														
	bright	0	0	0	0	0	0	1	1	1	1	0	1	0	0	0	0	0	0
Green	0	0	0	0	0	0	1	1	1	1	1	1	0	0	0	0	0	0	
Blue gray scale	Black	0	0	0	0	0	0	0	0	0	0	0	0	0	0	0	0	0	0
	dark	0	0	0	0	0	0	0	0	0	0	0	0	0	0	0	0	1	0
	↑				⋮														
	↓				⋮														
	bright	0	0	0	0	0	0	0	0	0	0	0	0	1	1	1	1	0	1
Blue	0	0	0	0	0	0	0	0	0	0	0	0	1	1	1	1	1	0	
Blue	0	0	0	0	0	0	0	0	0	0	0	0	1	1	1	1	1	1	

# PRELIMINARY

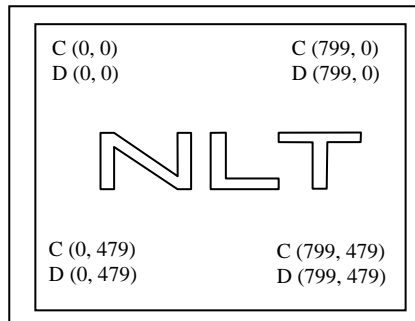
## 4.7 DISPLAY POSITIONS

The following table is the coordinates per pixel (See "4.8 SCANNING DIRECTIONS").

C (0, 0)						
R	G	B				
↑						
C( 0, 0)	C( 1, 0)	...	C( X, 0)	...	C(798, 0)	C(799, 0)
C( 0, 1)	C( 1, 1)	...	C( X, 1)	...	C(798, 1)	C(799, 1)
.	.	.	.	.	.	.
.	.	...	.	...	.	...
.	.	.	.	.	.	.
C( 0, Y)	C( 1, Y)	...	C( X, Y)	...	C(798, Y)	C(799, Y)
.	.	.	.	.	.	.
.	.	...	.	...	.	.
.	.	.	.	.	.	.
C( 0, 478)	C( 1, 478)	...	C( X, 478)	...	C(798, 478)	C(799, 478)
C( 0, 479)	C( 1, 479)	...	C( X, 479)	...	C(798, 479)	C(799, 479)

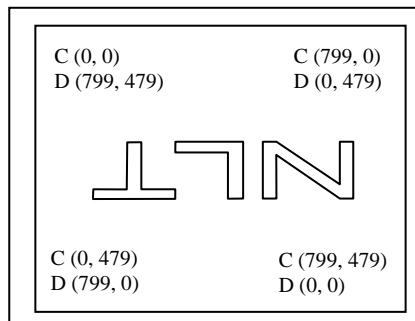
## 4.8 SCANNING DIRECTIONS

The following figures are seen from a front view.



Note1

Figure1. Normal scan (DPS:Low or Open)



Note1

Figure2. Reverse scan (DPS: High)

Note1: Meaning of C (X, Y) and D (X, Y)

C (X, Y):The coordinates of the display position (See "4.7 DISPLAY POSITIONS".)

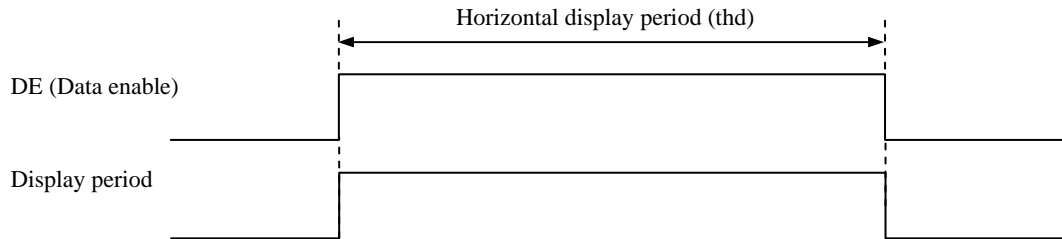
D (X, Y):The data number of input signal for LCD panel signal processing board

### 4.9 INPUT SIGNAL TIMINGS

#### 4.9.1 Outline of input signal timings

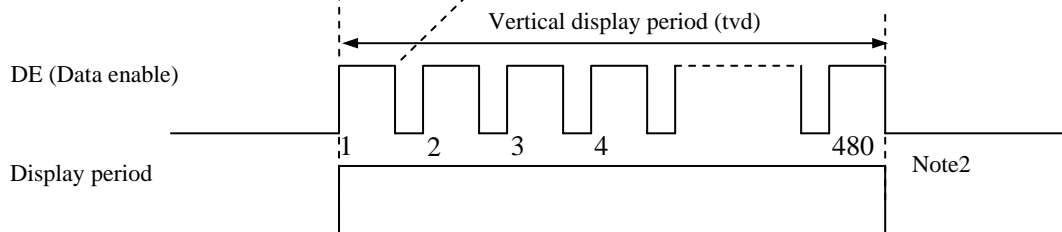
- Horizontal signal

Note1



- Vertical signal

Note1



Note1: This diagram indicates virtual signal for set up to timing.

Note2: See "4.9.3 Input signal timing chart" for the pulse number.



# PRELIMINARY

4.9.2 Timing characteristics

(Note1, Note2, Note3)

Parameter		Symbol	min.	typ.	max.	Unit	Remarks	
CLK	Frequency	1/tc	28.0	32.256	36.0	MHz	31.002ns (typ.)	
	Duty	-	-			-	-	
	Rise time, Fall time	-				ns		
DATA	CLK-DATA	Setup time	-			ns	-	
		Hold time				ns		
	Rise time, Fall time	-				ns		
DE	Horizontal	Cycle	th	28.44	31.746	36.57	μs	31.5 kHz (typ.)
				889	1,024	1,143	CLK	
		Display period	thd	800			CLK	-
	Vertical (One frame)	Cycle	tv	14.931	16.667	19.19	ms	60.0 Hz (typ.)
				513	525	767	H	
		Display period	tvd	480			H	
	CLK-DE	Setup time	-	-			ns	-
Hold time		-	ns					
	Rise time, Fall time	-				ns		

Note1: Definition of parameters is as follows.

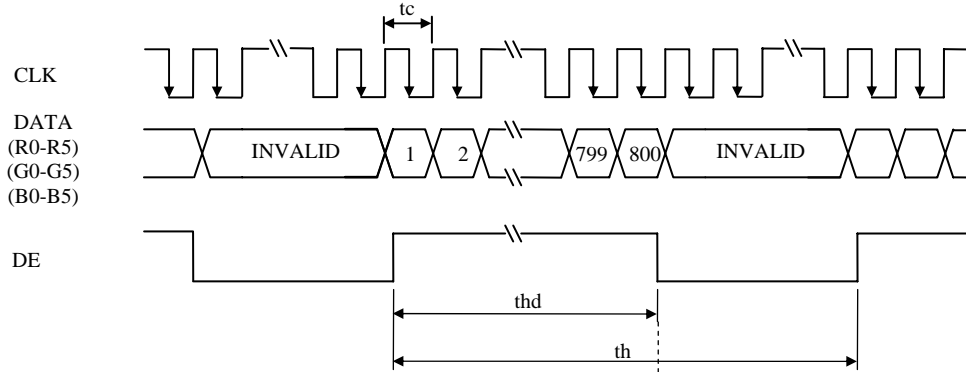
$$t_c = 1\text{CLK}, t_h = 1\text{H}$$

Note2: See the data sheet of LVDS transmitter.

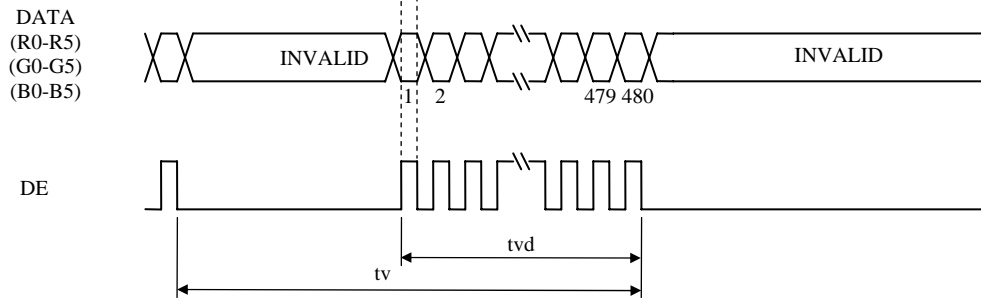
Note3: Vertical cycle (tv) should be specified in integral multiple of Horizontal cycle (th).

### 4.9.3 Input signal timing chart

#### Horizontal timing



#### Vertical timing



### 4.10 OPTICS

#### 4.10.1 Optical characteristics

(Note1, Note2)

Parameter	Condition	Symbol	min.	typ.	max.	Unit	Measuring instrument	Remarks	
Luminance	White at center $\theta R=0^\circ, \theta L=0^\circ, \theta U=0^\circ, \theta D=0^\circ$	L	(210)	300	-	cd/m <sup>2</sup>	BM-5A	-	
Contrast ratio	White/Black at center $\theta R=0^\circ, \theta L=0^\circ, \theta U=0^\circ, \theta D=0^\circ$	CR	(480)	(800)	-	-	BM-5A	Note3	
Luminance uniformity	White $\theta R=0^\circ, \theta L=0^\circ, \theta U=0^\circ, \theta D=0^\circ$	LU	-	(1.25)	(1.4)	-	BM-5A	Note4	
Chromaticity	White	x coordinate	Wx	0.263	0.313	0.363	-	SR-3	Note5
		y coordinate	Wy	0.279	0.329	0.379	-		
	Red	x coordinate	Rx	-	TBD	-	-		
		y coordinate	Ry	-	TBD	-	-		
	Green	x coordinate	Gx	-	TBD	-	-		
		y coordinate	Gy	-	TBD	-	-		
Blue	x coordinate	Bx	-	TBD	-	-			
	y coordinate	By	-	TBD	-	-			
Color gamut	$\theta R=0^\circ, \theta L=0^\circ, \theta U=0^\circ, \theta D=0^\circ$ at center, against NTSC color space	C	(55)	(60)	-	%			
Response time	White to Black	Ton	-	(3)	(5)	ms	BM-5A -10000	Note6	
	Black to White	Toff	-	(15)	(21)	ms		Note7	
	Ton + Toff	-	-	(18)	(26)	ms			
Viewing angle	Right	$\theta U=0^\circ, \theta D=0^\circ, CR \geq 10$	$\theta R$	(60)	(70)	-	EZ Contrast	Note8	
	Left	$\theta U=0^\circ, \theta D=0^\circ, CR \geq 10$	$\theta L$	(60)	(70)	-			
	Up	$\theta R=0^\circ, \theta L=0^\circ, CR \geq 10$	$\theta U$	(60)	(70)	-			
	Down	$\theta R=0^\circ, \theta L=0^\circ, CR \geq 10$	$\theta D$	(60)	(70)	-			

Note1: These are initial characteristics.

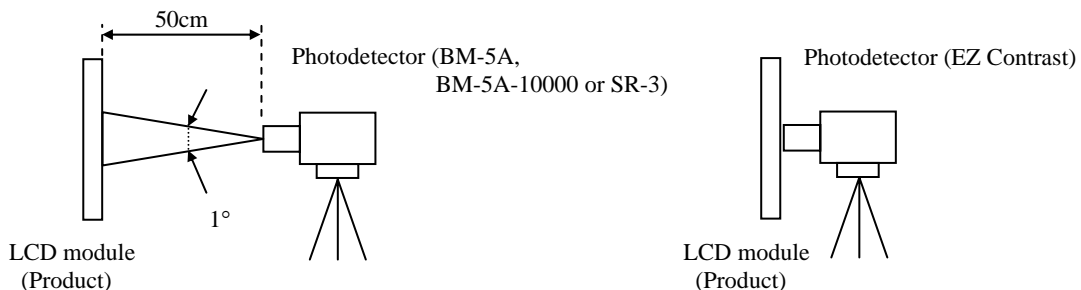
Note2: Measurement conditions are as follows.

Ta= 25°C, VCC= 3.3V, VDD= 12.0V, PWM: Duty 100%,

Display mode: WVGA, Horizontal cycle= 1/31.5kHz, Vertical cycle= 1/60.0Hz,

DPS= Low or Open: Normal scan

Optical characteristics are measured at luminance saturation 20minutes after the product works, in the dark room. Also measurement methods are as follows.



Note3: See "4.10.2 Definition of contrast ratio".

Note4: See "4.10.3 Definition of luminance uniformity".

Note5: These coordinates are found on CIE 1931 chromaticity diagram.

Note6: Product surface temperature: TopF= 25°C

Note7: See "4.10.4 Definition of response times".

Note8: See "4.10.5 Definition of viewing angles".

4.10.2 Definition of contrast ratio

The contrast ratio is calculated by using the following formula.

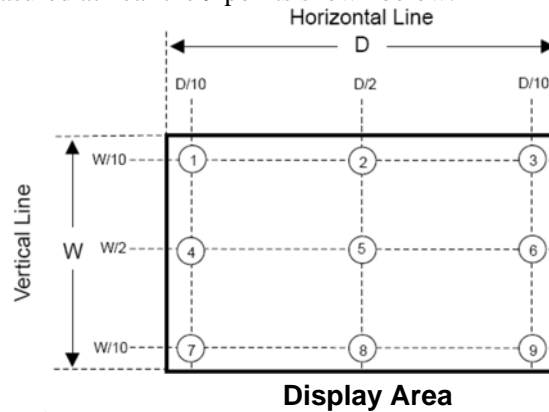
$$\text{Contrast ratio (CR)} = \frac{\text{Luminance of white screen}}{\text{Luminance of black screen}}$$

4.10.3 Definition of luminance uniformity

The luminance uniformity is calculated by using following formula.

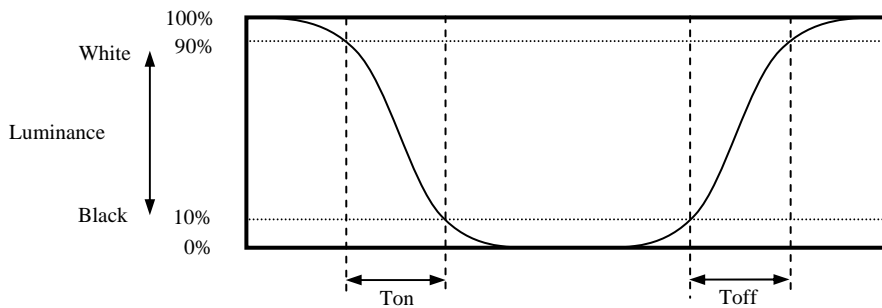
$$\text{Luminance uniformity (LU)} = \frac{\text{Maximum luminance from ① to ⑨}}{\text{Minimum luminance from ① to ⑨}}$$

The luminance is measured at near the 9 points shown below.

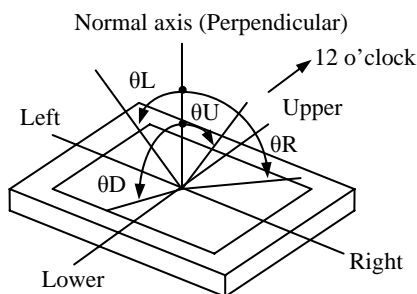


4.10.4 Definition of response times

Response time is measured at the time when the luminance changes from " white " to " black ", or " black " to " white " on the same screen point, by photo-detector. Ton is the time when the luminance changes from 90% down to 10%. Also Toff is the time when the luminance changes from 10% up to 90% (See the following diagram.).



4.10.5 Definition of viewing angles



# PRELIMINARY

## 5. ESTIMATED LUMINANCE LIFETIME

The luminance lifetime is the time from initial luminance to half-luminance.

**This lifetime is the estimated value, and is not guarantee value.**

Condition		Estimated luminance lifetime (Life time expectancy) Note1, Note2, Note3	Unit
LED elementary substance	25°C (Ambient temperature of the product) Continuous operation, PWM Duty: 100%	30,000	h

Note1: Life time expectancy is mean time to half-luminance.

Note2: Estimated luminance lifetime is not the value for an LCD module but the value for LED elementary substance.

Note3: By ambient temperature, the lifetime changes particularly. Especially, in case the product works under high temperature environment, the lifetime becomes short.

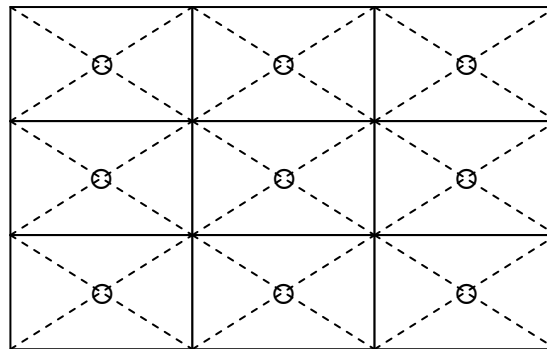
# PRELIMINARY

**6. RELIABILITY TESTS**

Test item	Condition	Judgment	Note1
High temperature and humidity (Operation)	① $60 \pm 2^{\circ}\text{C}$ , RH= 90%, 240hours ② Display data is black.	No display malfunctions	
High temperature (Operation)	① $70 \pm 3^{\circ}\text{C}$ , 240hours ② Display data is black.		
Thermal shock (Non operation)	① $-20 \pm 3^{\circ}\text{C}$ ...30minutes $60 \pm 3^{\circ}\text{C}$ ...30minutes ② 100cycles, 1hour/cycle ③ Temperature transition time is within 5 minutes.		
ESD (Operation)	Contact Discharge ① 150pF, 150Ω, $\pm 15\text{kV}$ ② 9 places on a panel surface Note2 ③ 10 times each places at 1 sec interval		
Vibration (Non operation)	① 5 to 100Hz, $19.6\text{m/s}^2$ ② 1 minute/cycle ③ X, Y, Z directions ④ 120 times each directions	No display malfunctions No physical damages	
Mechanical shock (Non operation)	① $539\text{m/s}^2$ , 11ms ② X, Y, Z directions ③ 5 times each directions		

Note1: Display and appearance are checked under environmental conditions equivalent to the inspection conditions of defect criteria.

Note2: See the following figure for discharge points.



### 7. PRECAUTIONS

#### 7.1 MEANING OF CAUTION SIGNS

The following caution signs have very important meaning. **Be sure to read "7.2 CAUTIONS" and "7.3 ATTENTIONS"!**



This sign has the meaning that a customer will be injured or the product will sustain damage if the customer practices wrong operations.



This sign has the meaning that a customer will be injured if the customer practices wrong operations.

#### 7.2 CAUTIONS



**\* Do not shock and press the LCD panel and the backlight! There is a danger of breaking, because they are made of glass. (Shock: Equal to or no greater than  $539\text{m/s}^2$  and equal to or no greater than 11ms, Pressure: Equal to or no greater than 19.6 N ( $\phi 16\text{mm}$  jig))**

#### 7.3 ATTENTIONS



##### 7.3.1 Handling of the product

- ① Take hold of both ends without touching the circuit board when the product (LCD module) is picked up from inner packing box to avoid broken down or misadjustment, because of stress to mounting parts on the circuit board.
- ② When the product is put on the table temporarily, display surface must be placed downward.
- ③ When handling the product, take the measures of electrostatic discharge with such as earth band, ionic shower and so on, because the product may be damaged by electrostatic.
- ④ The torque for product mounting screws must never exceed 0.23 N·m. Higher torque might result in distortion of the bezel. And the length of product mounting screws must be  $\leq 2.0$  mm.
- ⑤ The product must be installed using mounting holes without undue stress such as bends or twist (See outline drawings). And do not add undue stress to any portion (such as bezel flat area). Bends or twist described above and undue stress to any portion may cause display mura.
- ⑥ Do not press or rub on the sensitive product surface. When cleaning the panel surface, wipe it with a soft dry cloth.
- ⑦ Do not push or pull the interface connectors while the product is working.
- ⑧ When handling the product, use of an original protection sheet on the product surface (polarizer) is recommended for protection of product surface. Adhesive type protection sheet may change color or characteristics of the polarizer.
- ⑨ Usually liquid crystals don't leak through the breakage of glasses because of the surface tension of thin layer and the construction of LCD panel. But, if you contact with liquid crystal by any chance, please wash it away with soap and water.

### 7.3.2 Environment

- ① Do not operate or store in high temperature, high humidity, dewdrop atmosphere or corrosive gases. Keep the product in packing box with antistatic pouch in room temperature to avoid dusts and sunlight, when storing the product.
- ② In order to prevent dew condensation occurred by temperature difference, the product packing box must be opened after enough time being left under the environment of an unpacking room. Evaluate the storage time sufficiently because dew condensation is affected by the environmental temperature and humidity. (Recommended leaving time: 6 hours or more with the original packing state after a customer receives the package)
- ③ Do not operate in high magnetic field. If not, circuit boards may be broken.
- ④ This product is not designed as radiation hardened.

### 7.3.3 Characteristics

**The following items are neither defects nor failures.**

- ① Characteristics of the LCD (such as response time, luminance, color uniformity and so on) may be changed depending on ambient temperature. If the product is stored under condition of low temperature for a long time, it may cause display mura. In this case, the product should be operated after enough time being left under condition of operating temperature.
- ② Display mura, flickering, vertical streams or tiny spots may be observed depending on display patterns.
- ③ Do not display the fixed pattern for a long time because it may cause image sticking. Use a screen saver, if the fixed pattern is displayed on the screen.
- ④ The display color may be changed depending on viewing angle because of the use of condenser sheet in the backlight.
- ⑤ Optical characteristics may be changed depending on input signal timings.

### 7.3.4 Others

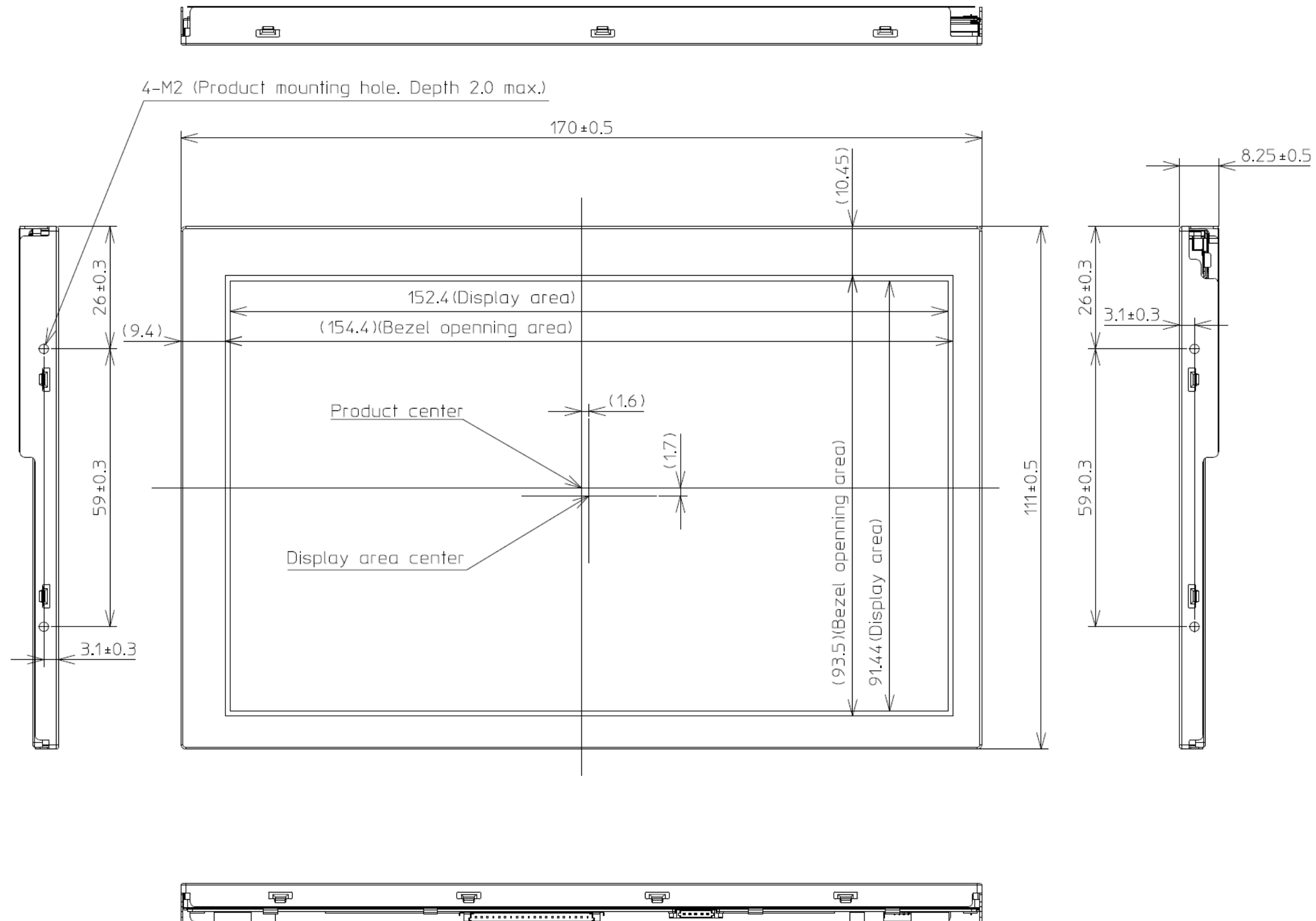
- ① All GND, VCC and VDD terminals should be used without any non-connected lines.
- ② Do not disassemble a product or adjust variable resistors.



# PRELIMINARY

## 8. OUTLINE DRAWINGS

### 8.1 FRONT VIEW



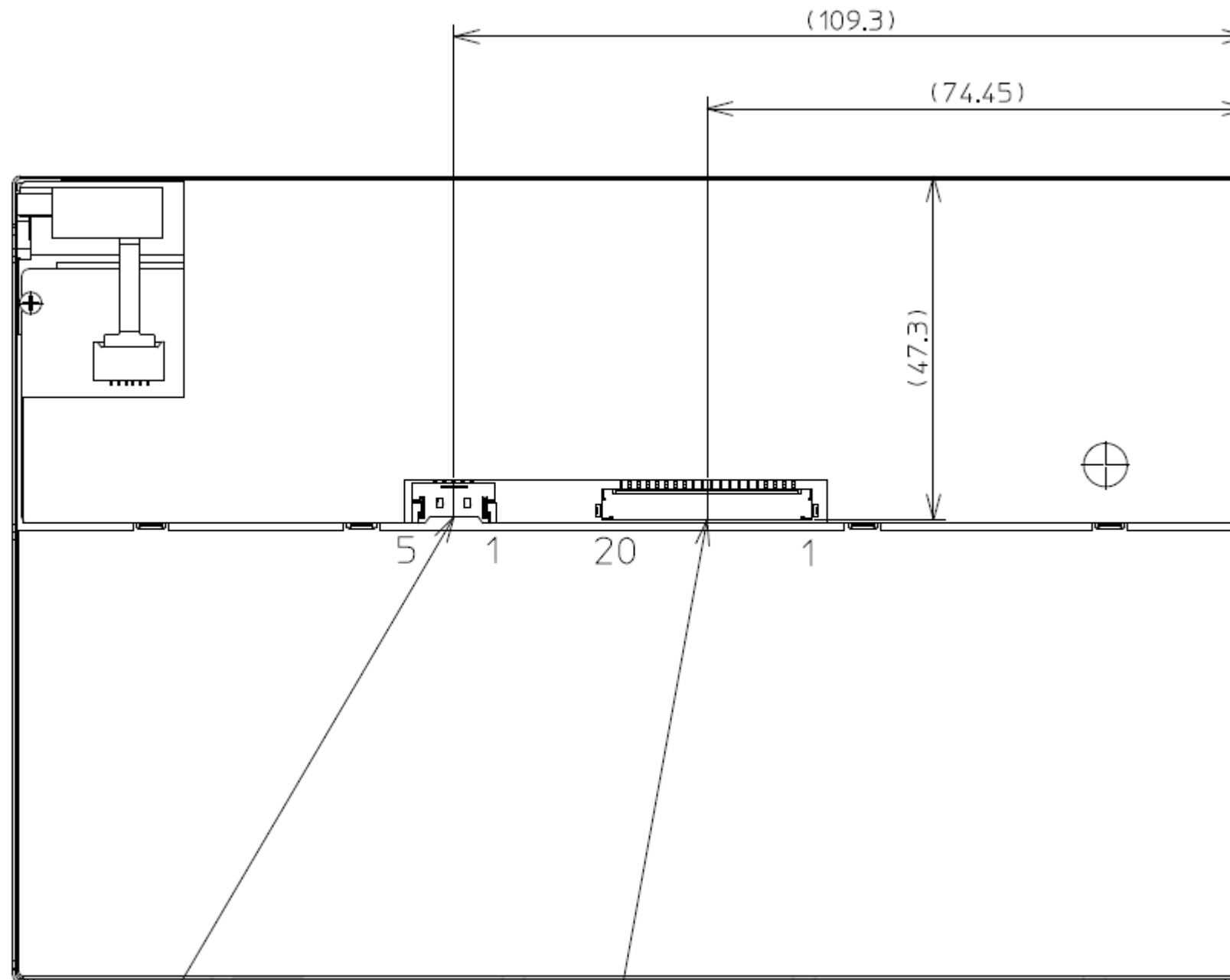
Unit: mm

Note1: The values in parentheses are for reference.

Note2: The torque for product mounting screws must never exceed 0.23 N·m. And the length of product mounting screws must be ≤ 2.0 mm.

# PRELIMINARY

## 8.2 REAR VIEW



CN2 : MSB24038P5

CN1 : FI-SE20P-HFE

Note1: The values in parentheses are for reference.

Note2: The torque for product mounting screws must never exceed 0.23 N·m. And the length of product mounting screws must be  $\leq 2.0$  mm.

Unit: mm



# PRELIMINARY

## REVISION HISTORY

Edition	Document number	Prepared date	Revision contents and signature
2nd edition	DOD-PP-1531	Dec. 17, 2012	<p><b>Revision contents</b></p> <p>P10 LCD panel</p> <ul style="list-style-type: none"> <li>• VCC: TBD → 0.1 VCC (2points), 0.9 VCC (2points) : TBD ≤ Tr &lt; TBD → (0.5ms) ≤ Tr &lt; (10ms), Toff ≥ TBD → Toff ≥ (1000ms)</li> <li>• TBD &lt; t &lt; TBD → (0.5ms) &lt; t &lt; (50ms), TBD &lt; t &lt; TBD → (0ms) &lt; t &lt; (50ms)</li> </ul> <p>P10 LED driver board</p> <ul style="list-style-type: none"> <li>• BRTC: TBD → 2.0 V (2points) : TBD &lt; Tr &lt; TBD → (10ms) ≤ Tr, TBD &lt; Tf &lt; TBD → (0ms) &lt; Tf</li> <li>• PWM: 2.0 V (2points) : TBD &lt; Tr &lt; TBD → (10ms) &lt; Tr, TBD &lt; Tf &lt; TBD → (0ms) &lt; Tf</li> <li>• VDD: 4.2 V (2points), 0.3 V (1point), TBD &lt; Tr &lt; TBD → (0.5ms) &lt; Tr &lt; (10ms)</li> </ul> <p>P11 LCD panel signal processing board</p> <ul style="list-style-type: none"> <li>• Pin No.3 - Remarks: TBD Reverse scan → High Reverse scan TBD or Open Normal scan → Low or Open Normal scan</li> <li>• Pin No.4: GND, Ground, Note4 → N.C., -, Keep this pin Open</li> </ul> <p>P12 Positions of plug and socket (specified)</p> <p>P13 Connection between receiver and transmitter for LVDS</p> <ul style="list-style-type: none"> <li>• Host - TD+, TD- (addition) - TXIN24, TXIN25: Note4 → Note5</li> <li>• LCD module: Equivalent of TBD → Equivalent of SN65LVDS86A-Q1</li> <li>• Receiver for LVDS: GND, VCC (addition)</li> <li>• Note4: TXIN24, TXIN25 (slimination)</li> <li>• Note5 (addition)</li> </ul> <p>P15 SCANNING DIRECTIONS</p> <ul style="list-style-type: none"> <li>• Figure1: TBD → Low</li> <li>• Figure2: TBD → High</li> </ul> <p>P17 Timing characteristics</p> <ul style="list-style-type: none"> <li>• CLK - Frequency: TBD (min., max.) MHz → 28.0 (min.), 36.0(max.) MHz</li> <li>• DE - Horizontal - Cycle: TBD (min., max.) μs → 28.44 (min.), 36.57 (max.) μs : TBD (min., max.) CLK → 889 (min.), 1,143 (max.) CLK</li> <li>• DE - Vertical - Cycle: TBD (min., max.) ms → 14.931 (min.), 19.19 (max.) ms : TBD (min., max.) H → 513 (min.), 767 (max.) H</li> </ul> <p>P19 Optical characteristics</p> <ul style="list-style-type: none"> <li>• Note2: DPS= TBD or Open: Nomal scan → DPS= Low or Open: Nomal scan</li> </ul> <p>P22 RELIABILITY TESTS</p> <ul style="list-style-type: none"> <li>• ESD: Contact Discharge ① 330Ω, ±8kV → 150Ω, ±15kV : Air Discharge (elimination)</li> <li>• Vibration: ① 11.76 m/s<sup>2</sup> → 19.6m/s<sup>2</sup> ④ 50 times → 120 times</li> <li>• Mechanical shock: ① 490 m/s<sup>2</sup> → 539 m/s<sup>2</sup> ③ 3 times → 5 times</li> </ul> <p>P23 CAUTIONS</p> <ul style="list-style-type: none"> <li>• 490 m/s<sup>2</sup> → 539 m/s<sup>2</sup></li> </ul> <p>P23 Handling of the product</p> <ul style="list-style-type: none"> <li>• ④ TBD N·m. → 0.23 N·m., TBD mm → 2.0 mm</li> </ul> <p>P25,26 OUTLINE DRAWINGS (specified)</p> <ul style="list-style-type: none"> <li>• Note2: TBD N·m. → 0.23 N·m., TBD mm → 2.0 mm</li> </ul> <p style="margin-top: 20px;"><b>Writer</b></p> <p style="text-align: center;"> <i>Approved by</i>                      <i>Checked by</i>                      <i>Prepared by</i>  <span style="display: inline-block; width: 150px; border-bottom: 1px solid black; margin-left: 50px;"></span> <span style="display: inline-block; width: 150px; border-bottom: 1px solid black; margin-left: 50px;"></span> <span style="display: inline-block; width: 150px; border-bottom: 1px solid black; margin-left: 50px;"></span>  <span style="display: inline-block; width: 150px; border-bottom: 1px solid black; margin-left: 50px;">K. FUJIMOTO</span> <span style="display: inline-block; width: 150px; border-bottom: 1px solid black; margin-left: 50px;"></span> <span style="display: inline-block; width: 150px; border-bottom: 1px solid black; margin-left: 50px;">E. YOSHIMURA</span> </p>

