



AU Optronics Authorized Distributor

Specification

G\$+\$J HB\$%\$

Revision: \$.)

Preliminary Version: >i `m201'

■ Preliminary Specifications

□ Final Specifications

Module	7.0 Inch Color TFT-LCD
Model Name	G070VTN01.0

Customer	Date
Checked & Approved by	
_____	_____
<p>Note: This Specification is subject to change without notice.</p>	

Approved by	Date
<u>Grace Hung</u>	<u>2013/5/3</u>
Prepared by	
<u>Christine Huang</u>	<u>2013/5/3</u>
<p>Audio-Video Business Unit / AU Optronics corporation</p>	

AUO Confidential For DATAMODUL Internal Use Only / 2013/7/23

Contents

1. Operating Precautions	5
2. General Description	6
2.1 Display Characteristics.....	6
2.2 Optical Characteristics.....	7
3. Functional Block Diagram	10
4. Absolute Maximum Ratings	11
4.1 Absolute Ratings of TFT LCD Module.....	11
5. Electrical Characteristics	12
5.1 TFT LCD Module.....	12
5.2 Backlight Unit.....	14
6. Signal Characteristic	15
6.1 Pixel Format Image.....	15
6.2 Signal Description.....	16
6.4 The Input Data Format.....	18
6.5 Interface Timing.....	19
6.6 Power ON/OFF Sequence.....	20
7. Connector & Pin Assignment	21
7.1 TFT LCD Signal (CN1): LVDS Connector.....	21
7.2 LED Backlight Unit: LED Connector.....	21
8. Reliability Test Criteria	22
9. Mechanical Characteristics	23
9.1 LCM Outline Dimension.....	23
10. Label and Packaging	24
10.1 Shipping Label (on the rear side of TFT-LCD display).....	24
10.2 Carton Package.....	24
11 Safety	25
11.1 Sharp Edge Requirements.....	25
11.2 Materials.....	25
11.3 Capacitors.....	25
11.4 National Test Lab Requirement.....	25

Record of Revision

Version	Date	Page	Old description	New Description																																																																																																												
V 0.2		20	LED Backlight Unit: <table border="1"> <tr> <td>Connector Name / Designation</td> <td>LED Connector</td> </tr> <tr> <td>Manufacturer</td> <td>E&T or compatible</td> </tr> <tr> <td>Connector Model Number</td> <td>E&T H201K-P020N-02B</td> </tr> </table>	Connector Name / Designation	LED Connector	Manufacturer	E&T or compatible	Connector Model Number	E&T H201K-P020N-02B	LED Backlight Unit: <table border="1"> <tr> <td>Connector Name / Designation</td> <td>LED Connector</td> </tr> <tr> <td>Manufacturer</td> <td>JST or compatible</td> </tr> <tr> <td>Connector Model Number (Contact)</td> <td>SSH003T-P0.2-H or compatible</td> </tr> <tr> <td>Mating Model Number (Housing)</td> <td>SHR-02V-S-B or compatible</td> </tr> </table>	Connector Name / Designation	LED Connector	Manufacturer	JST or compatible	Connector Model Number (Contact)	SSH003T-P0.2-H or compatible	Mating Model Number (Housing)	SHR-02V-S-B or compatible																																																																																														
Connector Name / Designation	LED Connector																																																																																																															
Manufacturer	E&T or compatible																																																																																																															
Connector Model Number	E&T H201K-P020N-02B																																																																																																															
Connector Name / Designation	LED Connector																																																																																																															
Manufacturer	JST or compatible																																																																																																															
Connector Model Number (Contact)	SSH003T-P0.2-H or compatible																																																																																																															
Mating Model Number (Housing)	SHR-02V-S-B or compatible																																																																																																															
		22,23	Original 2D outline	Updated 2D outline including: 1. New 2D outline with mounting holes 2. New LED cable length defined																																																																																																												
V 0.3		21	LED Cable Maker changed	JST connector chosen																																																																																																												
V 0.4		20	<table border="1"> <thead> <tr> <th rowspan="2">Parameter</th> <th colspan="3">Value</th> <th rowspan="2">Units</th> </tr> <tr> <th>Min.</th> <th>Typ.</th> <th>Max.</th> </tr> </thead> <tbody> <tr><td>T1</td><td>0.5</td><td>-</td><td>10</td><td>[ms]</td></tr> <tr><td>T2</td><td>30</td><td>40</td><td>50</td><td>[ms]</td></tr> <tr><td>T3</td><td>175</td><td>-</td><td>-</td><td>[ms]</td></tr> <tr><td>T4</td><td>10</td><td>-</td><td>-</td><td>[ms]</td></tr> <tr><td>T5</td><td>10</td><td>-</td><td>-</td><td>[ms]</td></tr> <tr><td>T6</td><td>0</td><td>-</td><td>-</td><td>[ms]</td></tr> <tr><td>T7</td><td>10</td><td>-</td><td>-</td><td>[ms]</td></tr> <tr><td>T8</td><td>100</td><td>-</td><td>-</td><td>[ms]</td></tr> <tr><td>T9</td><td>0</td><td>16</td><td>50</td><td>[ms]</td></tr> <tr><td>T10</td><td>-</td><td>-</td><td>10</td><td>[ms]</td></tr> <tr><td>T11</td><td>1000</td><td>-</td><td>-</td><td>[ms]</td></tr> </tbody> </table>	Parameter	Value			Units	Min.	Typ.	Max.	T1	0.5	-	10	[ms]	T2	30	40	50	[ms]	T3	175	-	-	[ms]	T4	10	-	-	[ms]	T5	10	-	-	[ms]	T6	0	-	-	[ms]	T7	10	-	-	[ms]	T8	100	-	-	[ms]	T9	0	16	50	[ms]	T10	-	-	10	[ms]	T11	1000	-	-	[ms]	<table border="1"> <thead> <tr> <th>Parameter</th> <th>Min.</th> <th>Typ.</th> <th>Max.</th> <th>Units</th> </tr> </thead> <tbody> <tr><td>T1</td><td>0.5</td><td>-</td><td>10</td><td>ms</td></tr> <tr><td>T2</td><td>10</td><td>-</td><td>-</td><td>ms</td></tr> <tr><td>T3</td><td>30</td><td>40</td><td>50</td><td>ms</td></tr> <tr><td>T4</td><td>200</td><td>-</td><td>-</td><td>ms</td></tr> <tr><td>T5</td><td>100</td><td>-</td><td>-</td><td>ms</td></tr> <tr><td>T6</td><td>0</td><td>16</td><td>50</td><td>ms</td></tr> <tr><td>T7</td><td>-</td><td>-</td><td>10</td><td>ms</td></tr> <tr><td>T8</td><td>1000</td><td>-</td><td>-</td><td>ms</td></tr> </tbody> </table>	Parameter	Min.	Typ.	Max.	Units	T1	0.5	-	10	ms	T2	10	-	-	ms	T3	30	40	50	ms	T4	200	-	-	ms	T5	100	-	-	ms	T6	0	16	50	ms	T7	-	-	10	ms	T8	1000	-	-	ms
Parameter	Value				Units																																																																																																											
	Min.	Typ.	Max.																																																																																																													
T1	0.5	-	10	[ms]																																																																																																												
T2	30	40	50	[ms]																																																																																																												
T3	175	-	-	[ms]																																																																																																												
T4	10	-	-	[ms]																																																																																																												
T5	10	-	-	[ms]																																																																																																												
T6	0	-	-	[ms]																																																																																																												
T7	10	-	-	[ms]																																																																																																												
T8	100	-	-	[ms]																																																																																																												
T9	0	16	50	[ms]																																																																																																												
T10	-	-	10	[ms]																																																																																																												
T11	1000	-	-	[ms]																																																																																																												
Parameter	Min.	Typ.	Max.	Units																																																																																																												
T1	0.5	-	10	ms																																																																																																												
T2	10	-	-	ms																																																																																																												
T3	30	40	50	ms																																																																																																												
T4	200	-	-	ms																																																																																																												
T5	100	-	-	ms																																																																																																												
T6	0	16	50	ms																																																																																																												
T7	-	-	10	ms																																																																																																												
T8	1000	-	-	ms																																																																																																												
V 0.5		16	<table border="1"> <tr> <td>3</td> <td>UD</td> <td>Vertical Reverse Scan Control When UD=Low or NC → Normal Mode When UD=High → Vertical Reverse Scan. <small>not</small></td> </tr> </table>	3	UD	Vertical Reverse Scan Control When UD=Low or NC → Normal Mode When UD=High → Vertical Reverse Scan. <small>not</small>	<table border="1"> <tr> <td>3</td> <td>GND</td> <td>Ground</td> </tr> </table>	3	GND	Ground																																																																																																						
3	UD	Vertical Reverse Scan Control When UD=Low or NC → Normal Mode When UD=High → Vertical Reverse Scan. <small>not</small>																																																																																																														
3	GND	Ground																																																																																																														
		17	The UD/RL pin setting should follow the power on sequence in Section 6.6. <p>Fig. 1 Normal scan (Pin3, UD = Low or NC ; Pin4, RL = Low or NC) Fig. 2 Reverse scan (Pin3, UD = Low or NC ; Pin4, RL = High) Fig. 3 Reverse scan (Pin3, UD = High ; Pin4, RL = Low or NC) Fig. 4 Reverse scan (Pin3, UD = High ; Pin4, RL = High)</p>	The RL pin setting should follow the power on sequence in Section 6.6. <p>Fig. 1 Normal scan (Pin4, RL = Low or NC) Fig. 2 Reverse scan (Pin4, RL = High)</p>																																																																																																												

Version Date	Page	Old description	New Description																																																																				
V0.5	11	Absolute Ratings of Environment <table border="1"> <thead> <tr> <th>Item</th> <th>Symbol</th> <th>Min.</th> <th>Max.</th> <th>Unit</th> </tr> </thead> <tbody> <tr> <td>Operating Temperature</td> <td>TOP</td> <td>-20</td> <td>+70</td> <td>[°C]</td> </tr> <tr> <td>Operation Humidity</td> <td>HOP</td> <td>5</td> <td>90</td> <td>[%RH]</td> </tr> <tr> <td>Storage Temperature</td> <td>TST</td> <td>-30</td> <td>+80</td> <td>[°C]</td> </tr> <tr> <td>Storage Humidity</td> <td>HST</td> <td>5</td> <td>90</td> <td>[%RH]</td> </tr> </tbody> </table>	Item	Symbol	Min.	Max.	Unit	Operating Temperature	TOP	-20	+70	[°C]	Operation Humidity	HOP	5	90	[%RH]	Storage Temperature	TST	-30	+80	[°C]	Storage Humidity	HST	5	90	[%RH]	Remove Absolute Ratings of Environment																																											
	Item	Symbol	Min.	Max.	Unit																																																																		
	Operating Temperature	TOP	-20	+70	[°C]																																																																		
	Operation Humidity	HOP	5	90	[%RH]																																																																		
	Storage Temperature	TST	-30	+80	[°C]																																																																		
Storage Humidity	HST	5	90	[%RH]																																																																			
19	<table border="1"> <thead> <tr> <th>T_H</th> <th>986</th> <th>1056</th> <th>1183</th> <th rowspan="3">T_{clock}</th> </tr> </thead> <tbody> <tr> <td>T_{HD}</td> <td>-</td> <td>800</td> <td>-</td> </tr> <tr> <td>T_{HB}</td> <td>186</td> <td>256</td> <td>383</td> </tr> </tbody> </table>	T _H	986	1056	1183	T _{clock}	T _{HD}	-	800	-	T _{HB}	186	256	383	Timing table and diagram update <table border="1"> <thead> <tr> <th>T_H</th> <th>1000</th> <th>1056</th> <th>1112</th> <th rowspan="3">T_{clock}</th> </tr> </thead> <tbody> <tr> <td>T_{HD}</td> <td>-</td> <td>800</td> <td>-</td> </tr> <tr> <td>T_{HB}</td> <td>200</td> <td>256</td> <td>312</td> </tr> </tbody> </table>	T _H	1000	1056	1112	T _{clock}	T _{HD}	-	800	-	T _{HB}	200	256	312																																											
T _H	986	1056	1183	T _{clock}																																																																			
T _{HD}	-	800	-																																																																				
T _{HB}	186	256	383																																																																				
T _H	1000	1056	1112	T _{clock}																																																																			
T _{HD}	-	800	-																																																																				
T _{HB}	200	256	312																																																																				
20	<p>Note : Control signal indicates UD, LR and SEL68</p>	<p>Note : Control signal indicates LR and SEL68</p>																																																																					
21	<table border="1"> <thead> <tr> <th>Pin No.</th> <th>Signal Name</th> <th>Pin No.</th> <th>Signal Name</th> </tr> </thead> <tbody> <tr> <td>1</td> <td>VDD</td> <td>2</td> <td>VDD</td> </tr> <tr> <td>3</td> <td>UD</td> <td>4</td> <td>LR</td> </tr> </tbody> </table>	Pin No.	Signal Name	Pin No.	Signal Name	1	VDD	2	VDD	3	UD	4	LR	Pin3 is revised and named by GND. <table border="1"> <thead> <tr> <th>Pin No.</th> <th>Signal Name</th> <th>Pin No.</th> <th>Signal Name</th> </tr> </thead> <tbody> <tr> <td>1</td> <td>VDD</td> <td>2</td> <td>VDD</td> </tr> <tr> <td>3</td> <td>GND</td> <td>4</td> <td>LR</td> </tr> </tbody> </table>	Pin No.	Signal Name	Pin No.	Signal Name	1	VDD	2	VDD	3	GND	4	LR																																													
Pin No.	Signal Name	Pin No.	Signal Name																																																																				
1	VDD	2	VDD																																																																				
3	UD	4	LR																																																																				
Pin No.	Signal Name	Pin No.	Signal Name																																																																				
1	VDD	2	VDD																																																																				
3	GND	4	LR																																																																				
7	Weight : TBD	Weight : 180																																																																					
23	Mechanical Characteristics : X0	Mechanical Characteristics : X1																																																																					
V0.6	7	Color / Chromaticity Coordinates: TBD	Fill in color coordinate value: <table border="1"> <tbody> <tr> <td>Red x</td> <td>0.67</td> <td>0.62</td> <td>0.67</td> </tr> <tr> <td>Red y</td> <td>0.30</td> <td>0.35</td> <td>0.40</td> </tr> <tr> <td>Green x</td> <td>0.28</td> <td>0.33</td> <td>0.38</td> </tr> <tr> <td>Green y</td> <td>0.52</td> <td>0.57</td> <td>0.62</td> </tr> <tr> <td>Blue x</td> <td>0.11</td> <td>0.16</td> <td>0.21</td> </tr> <tr> <td>Blue y</td> <td>0.08</td> <td>0.13</td> <td>0.18</td> </tr> <tr> <td>White x</td> <td>0.26</td> <td>0.31</td> <td>0.36</td> </tr> <tr> <td>White y</td> <td>0.28</td> <td>0.33</td> <td>0.38</td> </tr> </tbody> </table>	Red x	0.67	0.62	0.67	Red y	0.30	0.35	0.40	Green x	0.28	0.33	0.38	Green y	0.52	0.57	0.62	Blue x	0.11	0.16	0.21	Blue y	0.08	0.13	0.18	White x	0.26	0.31	0.36	White y	0.28	0.33	0.38																																				
	Red x	0.67	0.62	0.67																																																																			
	Red y	0.30	0.35	0.40																																																																			
	Green x	0.28	0.33	0.38																																																																			
Green y	0.52	0.57	0.62																																																																				
Blue x	0.11	0.16	0.21																																																																				
Blue y	0.08	0.13	0.18																																																																				
White x	0.26	0.31	0.36																																																																				
White y	0.28	0.33	0.38																																																																				
21	Connector Model Number (Contact) : JST SSH003T-P0.2 Mating Model Number (Housing) : JST SHR-02V-BK-B-HF	Connector Model Number (Contact) : ENTERY 3802K-Q02N-01L Mating Model Number (Housing) : ENTERY H201K-P02N-02B																																																																					
22	Reliability Test Criteria <table border="1"> <thead> <tr> <th>Item</th> <th>Required Condition</th> <th>Note</th> </tr> </thead> <tbody> <tr> <td>Temperature Humidity Bias</td> <td>40°C/60% 300 hours</td> <td>✓</td> </tr> <tr> <td>High Temperature Operation</td> <td>70°C 300 hours</td> <td>✓</td> </tr> <tr> <td>Low Temperature Operation</td> <td>-20°C 300 hours</td> <td>✓</td> </tr> <tr> <td>Hot Storage</td> <td>80°C 300 hours</td> <td>✓</td> </tr> <tr> <td>Cold Storage</td> <td>-30°C 300 hours</td> <td>✓</td> </tr> <tr> <td>Thermal Shock Test</td> <td>20°C/30 min 80°C/30 min 100cycles</td> <td>✓</td> </tr> <tr> <td>Shock Test (Non-Operating)</td> <td>505.20ms Half sine wave (4X, 4Y, 4Z)</td> <td>✓</td> </tr> <tr> <td>Vibration Test (Non-Operating)</td> <td>1.5G (10-2000Hz, P-P) 30 min/axis (X, Y, Z)</td> <td>✓</td> </tr> <tr> <td>On/Off test</td> <td>On/10 sec, Off/10 sec, 30,000 cycles</td> <td>✓</td> </tr> <tr> <td>ESD</td> <td>Contact Discharge ±8kV, 150pF(330) 1sec, 8 points, 25 times/point Air Discharge ±15kV, 150pF(330) 1sec, 8 points, 25 times/point</td> <td>Note 1 ✓</td> </tr> </tbody> </table> <p>Note: According to EN61000-4-2, ESD class B. Some performance degradation allowed. No data lost. Self-recoverable. No hardware failures.</p>	Item	Required Condition	Note	Temperature Humidity Bias	40°C/60% 300 hours	✓	High Temperature Operation	70°C 300 hours	✓	Low Temperature Operation	-20°C 300 hours	✓	Hot Storage	80°C 300 hours	✓	Cold Storage	-30°C 300 hours	✓	Thermal Shock Test	20°C/30 min 80°C/30 min 100cycles	✓	Shock Test (Non-Operating)	505.20ms Half sine wave (4X, 4Y, 4Z)	✓	Vibration Test (Non-Operating)	1.5G (10-2000Hz, P-P) 30 min/axis (X, Y, Z)	✓	On/Off test	On/10 sec, Off/10 sec, 30,000 cycles	✓	ESD	Contact Discharge ±8kV, 150pF(330) 1sec, 8 points, 25 times/point Air Discharge ±15kV, 150pF(330) 1sec, 8 points, 25 times/point	Note 1 ✓	Updated Reliability Test Criteria <table border="1"> <thead> <tr> <th>Item</th> <th>Required Condition</th> <th>Note</th> </tr> </thead> <tbody> <tr> <td>1 Temperature Humidity Bias</td> <td>40°C/60% 300 hours</td> <td>✓</td> </tr> <tr> <td>2 High Temperature Operation</td> <td>70°C 300 hours</td> <td>✓</td> </tr> <tr> <td>3 Low Temperature Operation</td> <td>-20°C 300 hours</td> <td>✓</td> </tr> <tr> <td>4 Hot Storage</td> <td>80°C 300 hours</td> <td>✓</td> </tr> <tr> <td>5 Cold Storage</td> <td>-30°C 300 hours</td> <td>✓</td> </tr> <tr> <td>6 Thermal Shock Test</td> <td>20°C/30 min 80°C/30 min 100cycles</td> <td>✓</td> </tr> <tr> <td>7 Shock Test</td> <td>505.20ms Half sine wave 100cycles</td> <td>Note 1 (Not Allowed)</td> </tr> <tr> <td>8 Shock Test</td> <td>505.20ms Half sine wave 25, 4x, 4y, 4z</td> <td>Note 2 (Not Allowed)</td> </tr> <tr> <td>9 Vibration Test</td> <td>1.5G (10-2000Hz, P-P) 30 min/axis (X, Y, Z)</td> <td>Note 3 (Not Allowed)</td> </tr> <tr> <td>10 On/Off test</td> <td>On/10 sec, Off/10 sec, 30,000 cycles</td> <td>Note 4 ✓</td> </tr> <tr> <td>ESD</td> <td>Contact Discharge ±8kV, 150pF(330) 1sec, 8 points, 25 times/point Air Discharge ±15kV, 150pF(330) 1sec, 8 points, 25 times/point</td> <td>Note 4 ✓</td> </tr> </tbody> </table> <p>Note 1: On/Off Item 1 to 10. Ambient temperature. Note 2: On/Off Item 1 to 10. Full width of shock with recovery time. This is the laboratory environment. Note 3: Judged by the initial factory results of AQL2 standard non-finished lot. Note 4: According to EN61000-4-2, ESD class B. Some performance degradation allowed. No data lost.</p>	Item	Required Condition	Note	1 Temperature Humidity Bias	40°C/60% 300 hours	✓	2 High Temperature Operation	70°C 300 hours	✓	3 Low Temperature Operation	-20°C 300 hours	✓	4 Hot Storage	80°C 300 hours	✓	5 Cold Storage	-30°C 300 hours	✓	6 Thermal Shock Test	20°C/30 min 80°C/30 min 100cycles	✓	7 Shock Test	505.20ms Half sine wave 100cycles	Note 1 (Not Allowed)	8 Shock Test	505.20ms Half sine wave 25, 4x, 4y, 4z	Note 2 (Not Allowed)	9 Vibration Test	1.5G (10-2000Hz, P-P) 30 min/axis (X, Y, Z)	Note 3 (Not Allowed)	10 On/Off test	On/10 sec, Off/10 sec, 30,000 cycles	Note 4 ✓	ESD	Contact Discharge ±8kV, 150pF(330) 1sec, 8 points, 25 times/point Air Discharge ±15kV, 150pF(330) 1sec, 8 points, 25 times/point	Note 4 ✓
Item	Required Condition	Note																																																																					
Temperature Humidity Bias	40°C/60% 300 hours	✓																																																																					
High Temperature Operation	70°C 300 hours	✓																																																																					
Low Temperature Operation	-20°C 300 hours	✓																																																																					
Hot Storage	80°C 300 hours	✓																																																																					
Cold Storage	-30°C 300 hours	✓																																																																					
Thermal Shock Test	20°C/30 min 80°C/30 min 100cycles	✓																																																																					
Shock Test (Non-Operating)	505.20ms Half sine wave (4X, 4Y, 4Z)	✓																																																																					
Vibration Test (Non-Operating)	1.5G (10-2000Hz, P-P) 30 min/axis (X, Y, Z)	✓																																																																					
On/Off test	On/10 sec, Off/10 sec, 30,000 cycles	✓																																																																					
ESD	Contact Discharge ±8kV, 150pF(330) 1sec, 8 points, 25 times/point Air Discharge ±15kV, 150pF(330) 1sec, 8 points, 25 times/point	Note 1 ✓																																																																					
Item	Required Condition	Note																																																																					
1 Temperature Humidity Bias	40°C/60% 300 hours	✓																																																																					
2 High Temperature Operation	70°C 300 hours	✓																																																																					
3 Low Temperature Operation	-20°C 300 hours	✓																																																																					
4 Hot Storage	80°C 300 hours	✓																																																																					
5 Cold Storage	-30°C 300 hours	✓																																																																					
6 Thermal Shock Test	20°C/30 min 80°C/30 min 100cycles	✓																																																																					
7 Shock Test	505.20ms Half sine wave 100cycles	Note 1 (Not Allowed)																																																																					
8 Shock Test	505.20ms Half sine wave 25, 4x, 4y, 4z	Note 2 (Not Allowed)																																																																					
9 Vibration Test	1.5G (10-2000Hz, P-P) 30 min/axis (X, Y, Z)	Note 3 (Not Allowed)																																																																					
10 On/Off test	On/10 sec, Off/10 sec, 30,000 cycles	Note 4 ✓																																																																					
ESD	Contact Discharge ±8kV, 150pF(330) 1sec, 8 points, 25 times/point Air Discharge ±15kV, 150pF(330) 1sec, 8 points, 25 times/point	Note 4 ✓																																																																					
23	Mechanical Characteristics : X1	Mechanical Characteristics : X3																																																																					

1. Operating Precautions

- 1) Since front polarizer is easily damaged, please be cautious not to scratch it.
- 2) Be sure to turn off power supply when inserting or disconnecting from input connector.
- 3) Wipe off water drop immediately. Long contact with water may cause discoloration or spots.
- 4) When the panel surface is soiled, wipe it with absorbent cotton or soft cloth.
- 5) Since the panel is made of glass, it may be broken or cracked if dropped or bumped on hard surface.
- 6) To avoid ESD (Electro Static Discharge) damage, be sure to ground yourself before handling TFT-LCD Module.
- 7) Do not open nor modify the module assembly.
- 8) Do not press the reflector sheet at the back of the module to any direction.
- 9) In case if a module has to be put back into the packing container slot after it was taken out from the container, do not press the center of the LED Reflector edge. Instead, press at the far ends of the LED Reflector edge softly. Otherwise the TFT Module may be damaged.
- 10) At the insertion or removal of the Signal Interface Connector, be sure not to rotate nor tilt the Interface Connector of the TFT Module.
- 11) After installation of the TFT Module into an enclosure (Notebook PC Bezel, for example), do not twist nor bend the TFT Module even momentarily. At designing the enclosure, it should be taken into consideration that no bending/twisting forces are applied to the TFT Module from outside. Otherwise the TFT Module may be damaged.
- 12) Small amount of materials having no flammability grade is used in the LCD module. The LCD module should be supplied by power complied with requirements of Limited Power Source (IEC60950 or UL1950), or be applied exemption.
- 13) Severe temperature condition may result in different luminance, response time.
- 14) Continuous operating TFT-LCD Module under high temperature environment may accelerate LED light bar exhaustion and reduce luminance dramatically.
- 15) The data on this specification sheet is applicable when LCD module is placed in landscape position.
- 16) Continuous displaying fixed pattern may induce image sticking. It is recommended to use screen saver or shuffle content periodically if fixed pattern is displayed on the screen.

2. General Description

This specification applies to the 7.0 inch color TFT LCD module G070VTN01.0.

G070VTN01.0 is built in timing controller and LVDS interface. The screen format is intended to support the WVGA (800(H) x 480(V)) screen and 16.2M (RGB 8-bits) or 262k colors (RGB 6-bits). G070VTN01.0 is a RoHS product.

2.1 Display Characteristics

The following items are characteristics summary on the table under 25 °C condition:

Items	Unit	Specifications
Screen Diagonal	[inch]	7.0 (177.8mm)
Active Area	[mm]	152.40(H) x 91.44(V)
Pixels H x V		800(H) x 480RGB(V)
Pixel Pitch	[mm]	0.1905 x 0.1905
Pixel Arrangement		R.G.B. Horizontal Stripe
Display Mode		TN, Normally White
Nominal Input Voltage VDD	[Volt]	3.3 typ.
LCD Typical Power Consumption	[Watt]	0.33
Back Light Power Consumption	[Watt]	1.47
Weight	[Grams]	180
Physical Size	[mm]	170.0(W) x 111.0(H) x 8.0(D) (typ.)
Electrical Interface		1 channel LVDS
Surface Treatment		Anti-glare, Hardness 3H
Support Color		262K(6-bit) / 16.2M(8-bit)
Temperature Range		
Operating	[°C]	-20 to +70
Storage (Non-Operating)	[°C]	-30 to +80
RoHS Compliance		RoHS Compliance

2.2 Optical Characteristics

The optical characteristics are measured under stable conditions at 25°C (Room Temperature):

Item	Unit	Conditions	Min.	Typ.	Max.	Note
White Luminance	[cd/m ²]	I _F = 20mA (center point)	250	300	-	1
Uniformity	%	5 Points			1.3	1.2.3
Contrast Ratio			400	500	-	4
Response Time	[msec]	Rising	-	12	20	5
	[msec]	Falling	-	18	30	
	[msec]	Rising + Falling	-	30	50	
Viewing Angle	[degree]	Horizontal (Right) CR □ 10 (Left)	55	65	-	6
	[degree]		55	65	-	
	[degree]	Vertical (Upper) CR □ 10 (Lower)	40	50	-	
Color / Chromaticity Coordinates (CIE 1931)		Red x	0.57	0.62	0.67	1
		Red y	0.30	0.35	0.40	
		Green x	0.28	0.33	0.38	
		Green y	0.52	0.57	0.62	
		Blue x	0.11	0.16	0.21	
		Blue y	0.08	0.13	0.18	
		White x	0.26	0.31	0.36	
		White y	0.28	0.33	0.38	
Color Gamut	%		-	50	-	1

Note 1: Measurement method

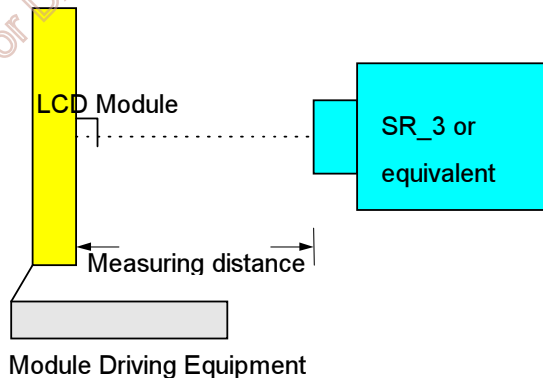
Equipment: Pattern Generator, Power Supply, Digital Voltmeter, Luminance meter (SR_3 or equivalent)

Scanning Direction : Normal Scan

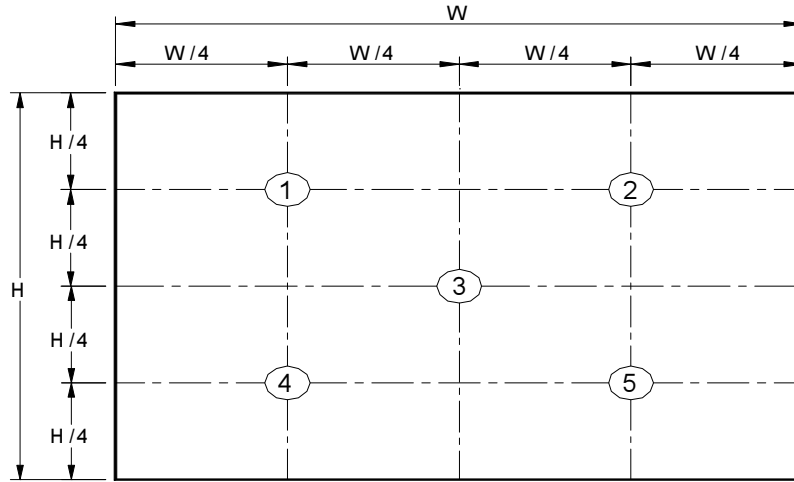
Aperture 1□with 50cm viewing distance

Test Point Center,

Environment < 1 lux



Note 2: Definition of 5 points position (Display active area: 152.40(H) x 91.44(V))



Note 3:

The luminance uniformity of 5 points is defined by dividing the maximum luminance value by the minimum luminance value at full white condition.

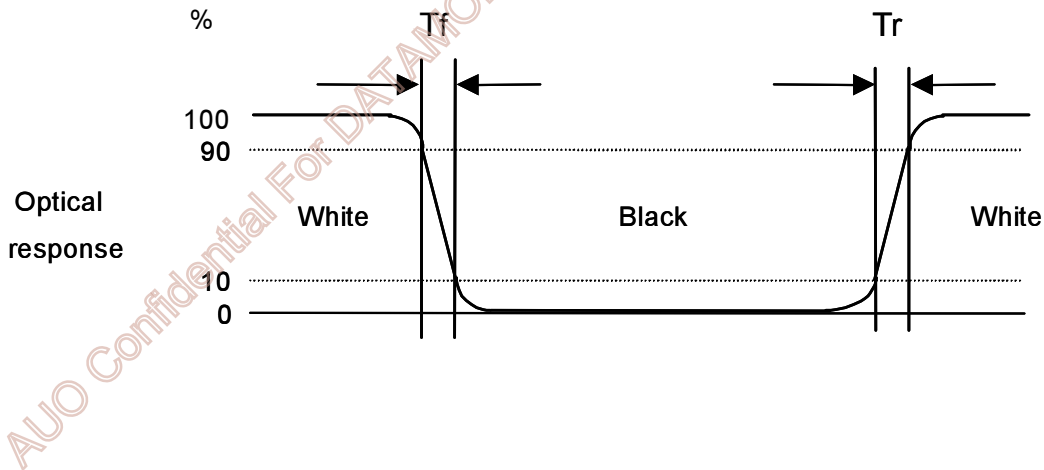
$$\delta_{W5} = \frac{\text{Maximum Brightness of five points}}{\text{Minimum Brightness of five points}}$$

Note 4 : Definition of contrast ratio (CR):

$$\text{Contrast ratio (CR)} = \frac{\text{Brightness on the "White" state}}{\text{Brightness on the "Black" state}}$$

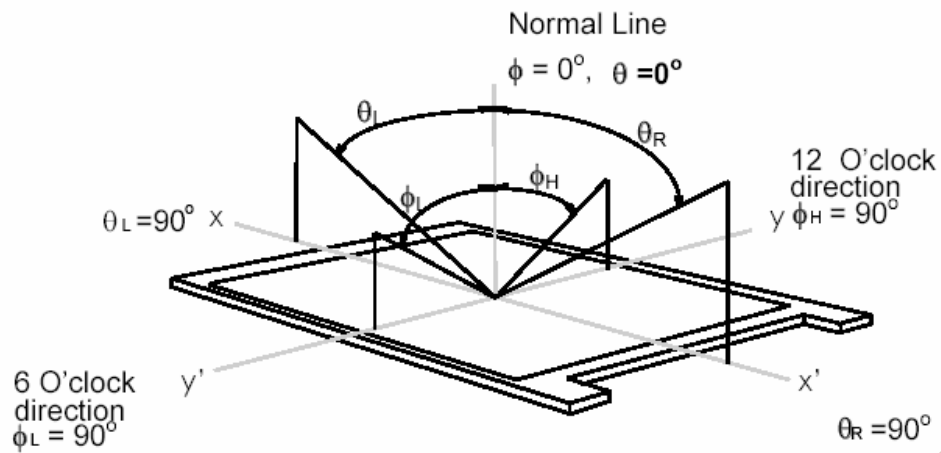
Note 5: Definition of response time:

The output signals of photo detector are measured when the input signals are changed from "White" to "Black" (falling time) and from "Black" to "White" (rising time), respectively. The response time interval is between 10% and 90% of amplitudes. Please refer to the figure as below.



Note 6: Definition of viewing angle

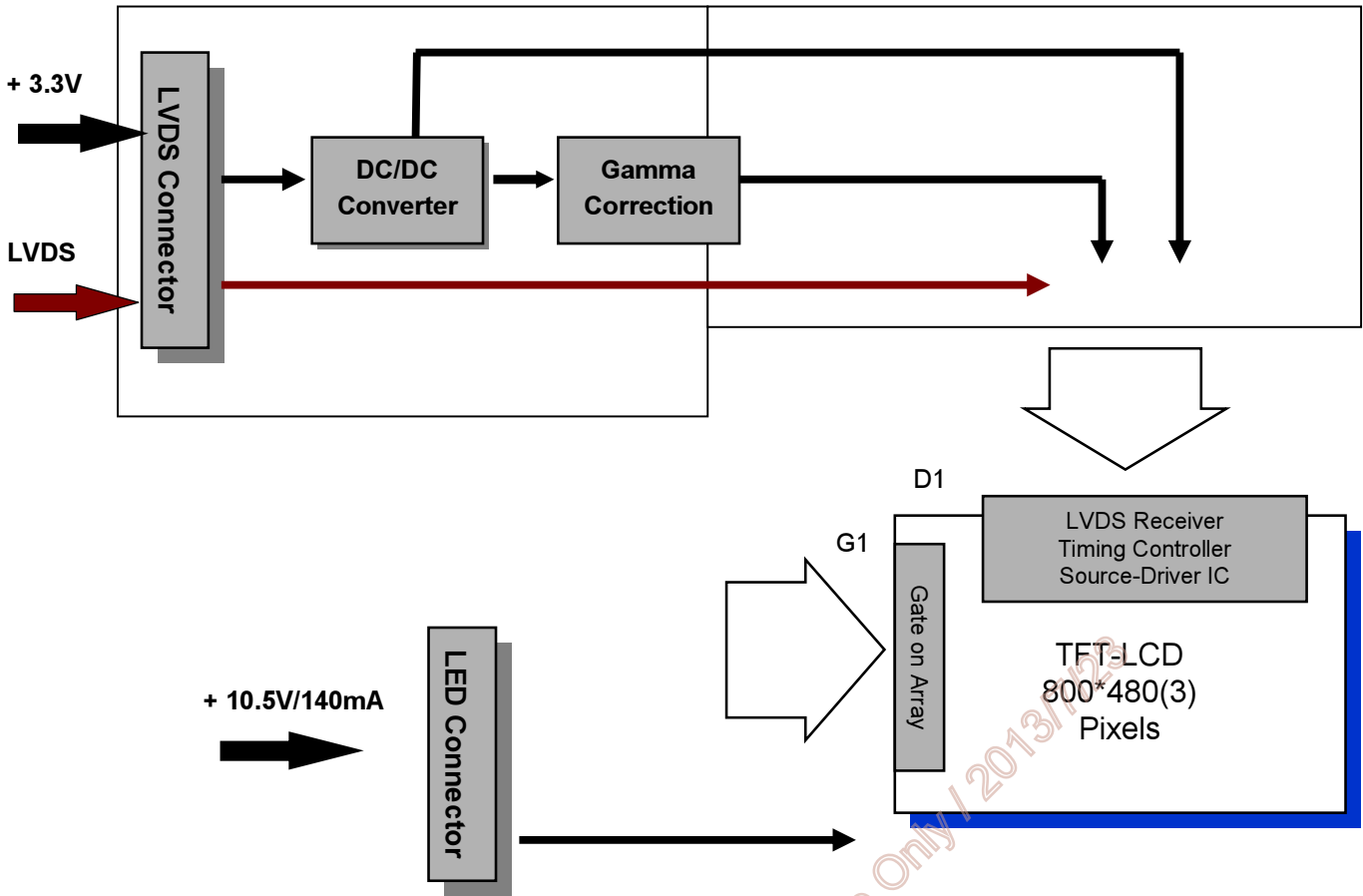
Viewing angle is the measurement of contrast ratio ≥ 10 , at the screen center, over a 180° horizontal and 180° vertical range (off-normal viewing angles). The 180° viewing angle range is broken down as below: 90° (θ) horizontal left and right, and 90° (ϕ) vertical high (up) and low (down). The measurement direction is typically perpendicular to the display surface with the screen rotated to its center to develop the desired measurement viewing angle.



AUO Confidential For DATAMODUL Internal Use Only / 2013/7/23

3. Functional Block Diagram

The following diagram shows the functional block of the 7.0 inch color TFT/LCD module:



AUO Confidential For DATAMODUL Internal Use Only / 2013/11/23

4. Absolute Maximum Ratings

4.1 Absolute Ratings of TFT LCD Module

Item	Symbol	Min	Max	Unit	Conditions
Logic/LCD Drive Voltage	VDD	-0.3	+3.6	[Volt]	

AUO Confidential For DATAMODUL Internal Use Only / 2013/7/23

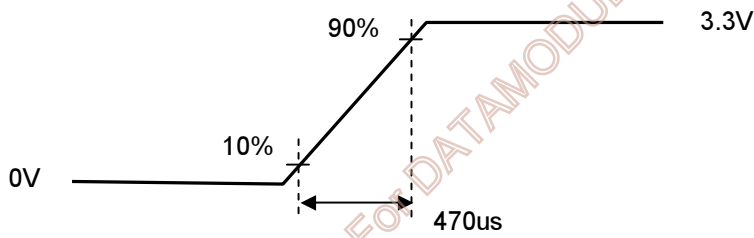
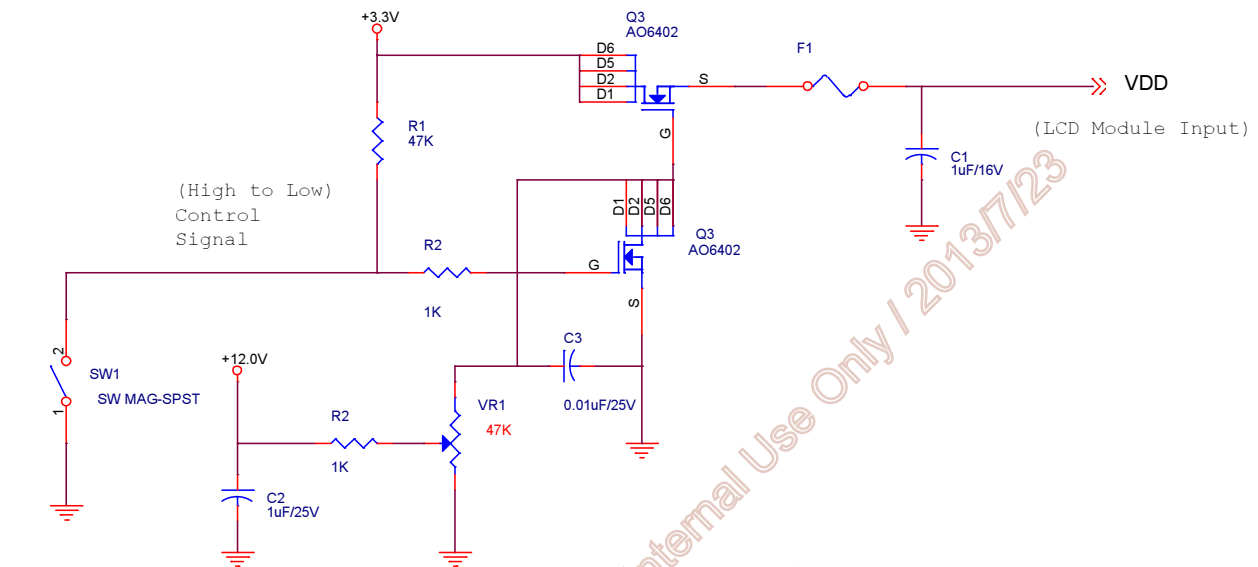
5. Electrical Characteristics

5.1 TFT LCD Module

5.1.1 Power Specification

Symbol	Parameter	Min	Typ	Max	Units	Remark
VDD	Logic/LCD Drive Voltage	3.0	3.3	3.6	[Volt]	±10%
I _{VDD}	VDD Current	-	100	120	[mA]	64 Gray Bar Pattern (VDD=3.3V, at 60Hz)
I _{rush}	LCD Inrush Current	-	-	1	[A]	Note 1
P _{VDD}	VDD Power	-	0.33	0.43	[Watt]	64 Gray Bar Pattern (VDD=3.3V, at 60Hz)

Note 1: Measurement condition:



VDD rising time



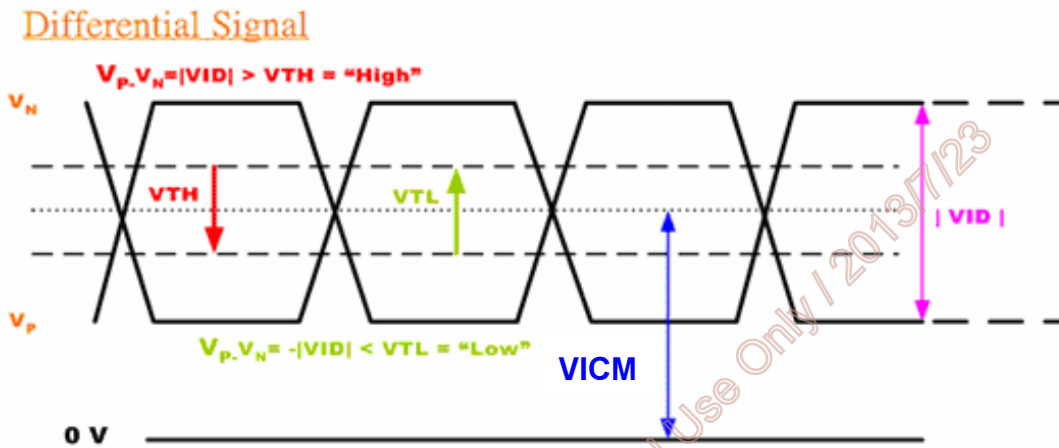
64 Gray pattern

5.1.2 Signal Electrical Characteristics

Input signals shall be low or Hi-Z state when VDD is off.

Symbol	Item	Min.	Typ.	Max.	Unit	Remark
VTH	Differential Input High Threshold	-	-	100	[mV]	VICM=1.2V
VTL	Differential Input Low Threshold	-100	-	-	[mV]	VICM=1.2V
VID	Input Differential Voltage	100	400	600	[mV]	
VICM	Differential Input Common Mode Voltage	1.1		1.6	[V]	VTH/VTL=±100mV

Note: LVDS Signal Waveform.



AUO Confidential For DATAMODUL Internal Use Only / 2013/7/23

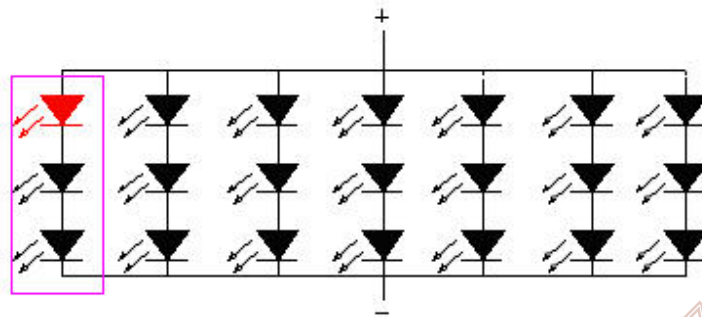
5.2 Backlight Unit

5.2.1 Parameter guideline for LED

Following characteristics are measured under a stable condition using an inverter at 25°C (Room Temperature): The backlight (LED module, Note 1) is suggested to drive by constant current 140mA.

Parameter	Symbol	Min.	Typ.	Max.	Unit	Remark
LED light bar Voltage	V_L		9.6	10.5	V	$I_F=140mA$
Power Consumption	P_{BL}	1.218	1.344	1.47	W	Note 1
LED Life Time	L_L	30,000	--	--	Hr	Note 2, 3

Note 1: The LED driving condition is defined for LED module (21 LED). The voltage range will be up to 10.5V based on suggested driving current set as 140mA.



Note 2: Define "LED Lifetime": brightness is decreased to 50% of the initial value. LED Lifetime is restricted under normal condition, ambient temperature = 25°C and LED light bar current = 140mA.

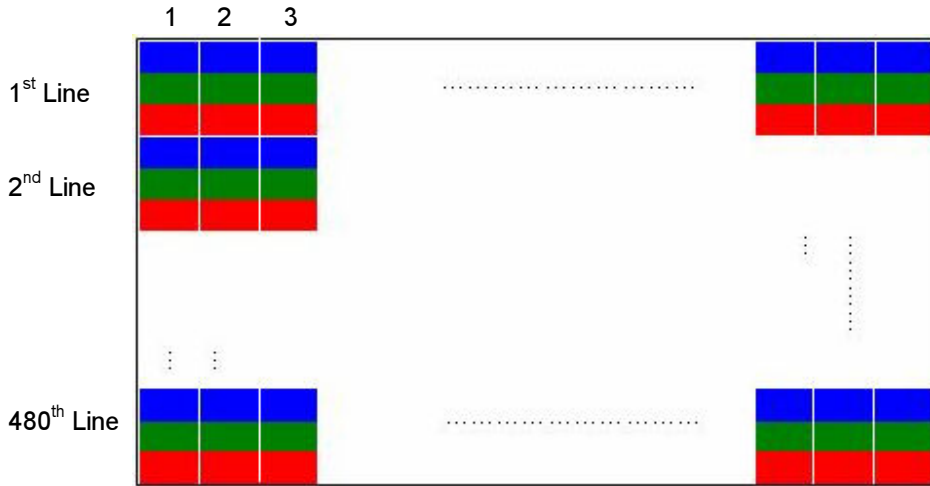
Note 3: If it uses larger LED light bar voltage/ current more than 10.5V/140mA, it maybe decreases the LED lifetime.

AUO Confidential For DATAMODUL Internal Use Only / 201307123

6. Signal Characteristic

6.1 Pixel Format Image

Following figure shows the relationship between input signal and LCD pixel format.



AUO Confidential For DATAMODUL Internal Use Only / 2013/7/23

6.2 Signal Description

LVDS is a differential signal technology for LCD interface and high speed data transfer device. The connector pin definition is as below.

Pin No.	Symbol	Description
1	VDD	Power Supply, 3.3V (typical)
2	VDD	Power Supply, 3.3V (typical)
3	GND	Ground
4	LR	Horizontal Reverse Scan Control, When LR=Low or NC → Normal Mode. When LR=High → Horizontal Reverse Scan. <small>Note</small>
5	RxIN1-	LVDS differential data input Pair 0
6	RxIN1+	
7	GND	Ground
8	RxIN2-	LVDS differential data input Pair 1
9	RxIN2+	
10	GND	Ground
11	RxIN3-	LVDS differential data input Pair 2
12	RxIN3+	
13	GND	Ground
14	RxCLKIN-	LVDS differential Clock input Pair
15	RxCLKIN+	
16	GND	Ground
17	SEL 68	LVDS 6/8 bit select function control, High or NC → 6 Bit Input Mode. Low → 8 Bit Input Mode. <small>Note</small>
18	NC	NC
19	RxIN4-	LVDS differential data input Pair 3.
20	RxIN4+	

Note1 : “Low” stands for 0V. “High” stands for 3.3V. “NC” stands for “No Connected.”

Note2: For 6 bits input mode, pin 19 and pin 20 must be floated.

6.3 Scanning Direction

The following figures show the image seen from the front view. The arrow indicates the direction of scan.

The RL pin setting should follow the power on sequence in Section 6.6.

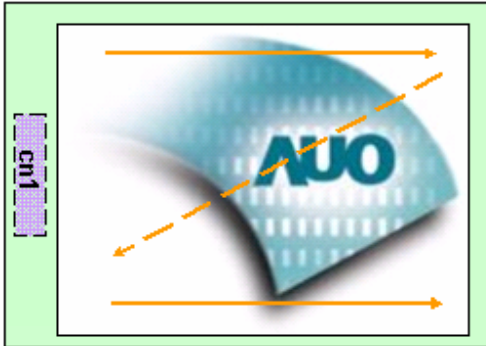


Fig. 1

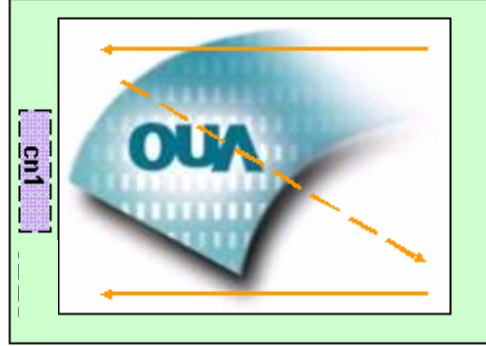


Fig. 2

Fig. 1 Normal scan (Pin4, RL = Low or NC)

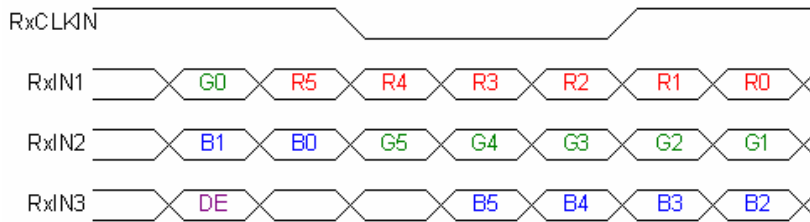
Fig. 2 Reverse scan (Pin4, RL = High)

AUO Confidential For DATAMODUL Internal Use Only / 2013/7/23

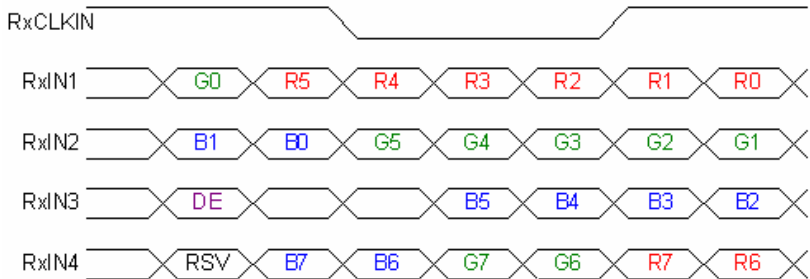
6.4 The Input Data Format

6.4.1 SEL68

SEL68 = "High" or "NC" for 6 bits LVDS Input



SEL68 = "Low" for 8 bits LVDS Input



Signal Name	Description	Remark
R7 R6 R5 R4 R3 R2 R1 R0	Red Data 7 (MSB) Red Data 6 Red Data 5 Red Data 4 Red Data 3 Red Data 2 Red Data 1 Red Data 0 (LSB)	Red-pixel Data Each red pixel's brightness data consists of these 8 bits pixel data.
G7 G6 G5 G4 G3 G2 G1 G0	Green Data 7 (MSB) GreenData 6 GreenData 5 GreenData 4 GreenData 3 GreenData 2 GreenData 1 GreenData 0 (LSB)	Green-pixel Data Each green pixel's brightness data consists of these 8 bits pixel data.
B7 B6 B5 B4 B3 B2 B1 B0	Blue Data 7 (MSB) Blue Data 6 Blue Data 5 Blue Data 4 Blue Data 3 Blue Data 2 Blue Data 1 Blue Data 0 (LSB)	Blue-pixel Data Each blue pixel's brightness data consists of these 8 bits pixel data.
RxCLKIN+ RxCLKIN-	LVDS Clock Input	
DE	Display Enable	
RSV	Reserved Signal	"High" or "Low" is acceptable

Note: Output signals from any system shall be low or Hi-Z state when VDD is off.

6.5 Interface Timing

6.5.1 Timing Characteristics

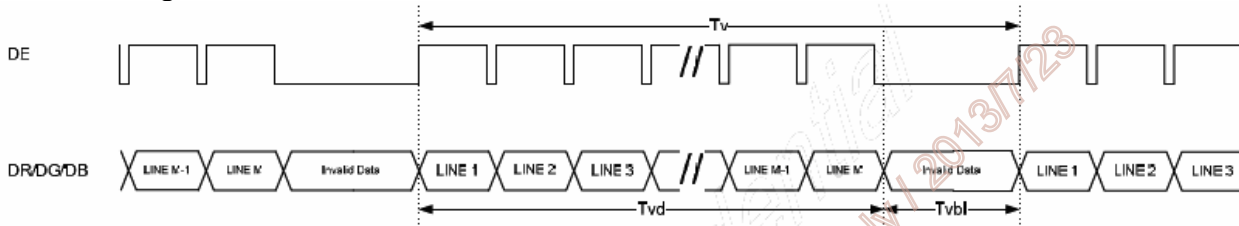
DE mode only

Parameter		Symbol	Min.	Typ.	Max.	Unit	Condition
Clock frequency		$1/T_{\text{Clock}}$	30.3	33.26	37.8	MHz	
Vertical Section	Period	T_V	517	525	532	T_H	
	Active	T_{VD}	-	480	-		
	Blanking	T_{VB}	37	45	52		
Horizontal Section	Period	T_H	1000	1056	1112	T_{Clock}	
	Active	T_{HD}	-	800	-		
	Blanking	T_{HB}	200	256	312		

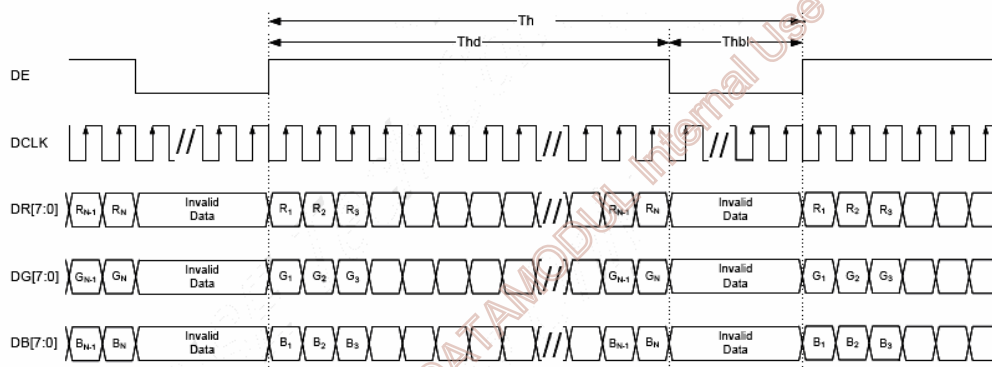
Note: Frame rate is 60 Hz.

6.5.2 Input Timing Diagram

Vertical timing:



Horizontal timing:

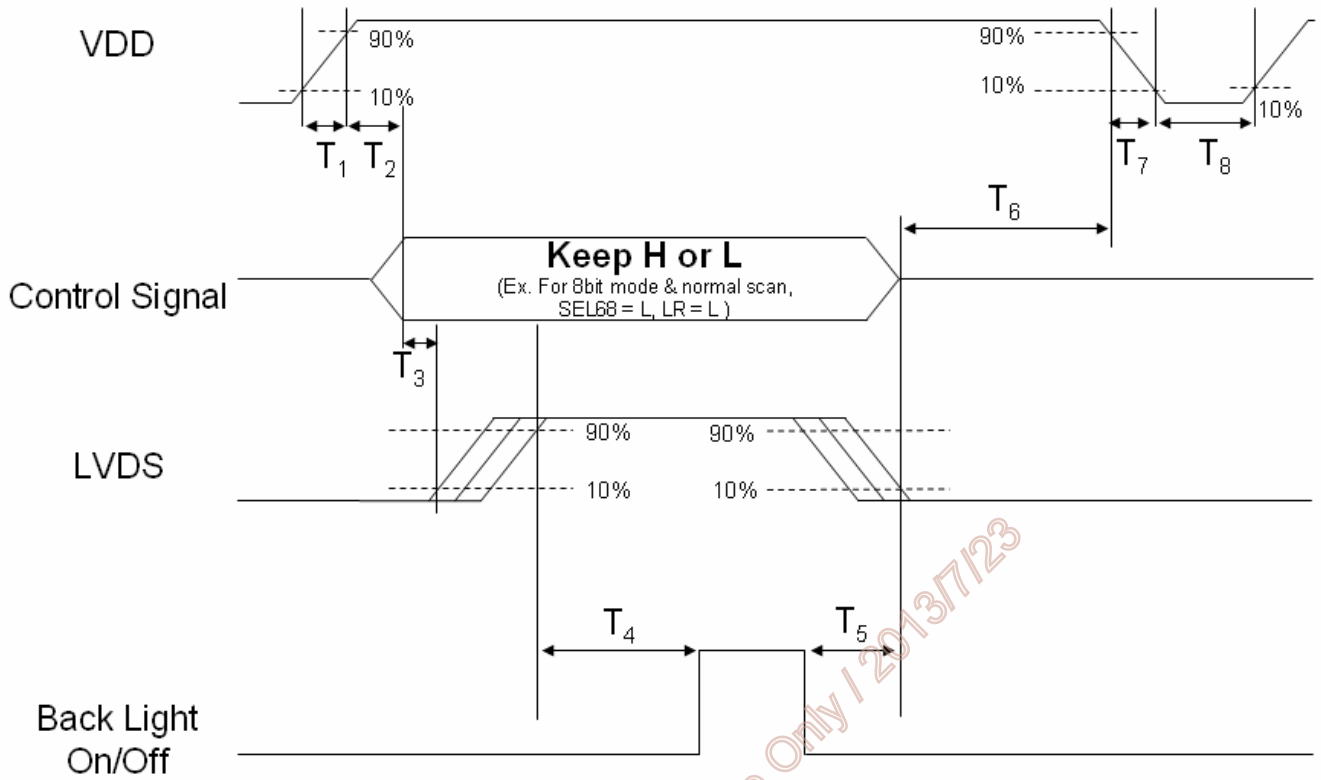


Note: horizontal resolution $N = 800$

Note: vertical resolution $M = 480$

6.6 Power ON/OFF Sequence

VDD power and backlight on/off sequence is as below. Interface signals are also shown in the chart. Signals from any system shall be Hi-Z state or low level when VDD is off.



Note : Control signal indicates LR and SEL68.

Parameter	Value			Units
	Min.	Typ.	Max.	
T ₁	0.5	-	10	ms
T ₂	10	-	-	ms
T ₃	30	40	50	ms
T ₄	200	-	-	ms
T ₅	100	-	-	ms
T ₆	0	16	50	ms
T ₇	-	-	10	ms
T ₈	1000	-	-	ms

The above on/off sequence should be applied to avoid abnormal function in the display. Please make sure to turn off the power when you plug the cable into the input connector or pull the cable out of the connector.

7. Connector & Pin Assignment

Physical interface is described as for the connector on module. These connectors are capable of accommodating the following signals and will be following components.

7.1 TFT LCD Signal (CN1): LVDS Connector

Connector Name / Designation	Signal Connector
Manufacturer	Hirose or compatible
Connector Model Number	Hirose-DF19LA-20P-1H or compatible
Mating Model Number	Hirose-DF19-20S-1C or compatible

Pin No.	Signal Name	Pin No.	Signal Name
1	VDD	2	VDD
3	GND	4	LR
5	RxIN1-	6	RxIN1+
7	GND	8	RxIN2-
9	RxIN2+	10	GND
11	RxIN3-	12	RxIN3+
13	GND	14	RxCKIN-
15	RxCKIN+	16	GND
17	SEL 68	18	NC
19	RxIN4-	20	RxIN4+

7.2 LED Backlight Unit: LED Connector

Connector Name / Designation	LED Connector
Manufacturer	ENTERY or compatible
Connector Model Number (Contact)	ENTERY 3802K-Q02N-01L or compatible
Mating Model Number (Housing)	ENTERY H201K-P02N-02B or compatible

Pin no	Symbol	I/O	Description	Remark
1	VLED	P	LED power supply	
2	GNDLED	P	LED ground	

8. Reliability Test Criteria

No	Items	Required Condition	Note
1	Temperature Humidity Bias	40□/90%,300 hours	
2	High Temperature Operation	70□,300 hours	
3	Low Temperature Operation	-20□,300 hours	
4	High Temperature Storage	80□,300 hours	
5	Low Temperature Storage	-30□,300 hours	
6	Thermal Shock Test	-20□/30 min ,60□/30 min ,100cycles	(Non-Operating)
7	Shock Test	50G,20ms,Half-sine wave,(±X, ±Y, ±Z)	(Non-Operating)
8	Vibration Test	1.5G, (10~200~10Hz, P-P) 30 mins/axis (X, Y, Z)	(Non-Operating)
9	On/off test	On/10 sec, Off/10 sec, 30,000 cycles	Note 3
10	ESD	Contact Discharge: ± 8KV, 150pF(330Ω) 1sec, 8 points, 25 times/ point Air Discharge: ± 15KV, 150pF(330Ω) 1sec, 8 points, 25 times/ point	Note 4

Note 1: (for test item 1 to 6) Ta: Ambient temperature

Note 2: (for test item 1 to 6) Test method: check with recovery time 2hrs in the laboratory environment.

Note 3: Judged by the on/off testing results of AUO's standard w/o functional fail.

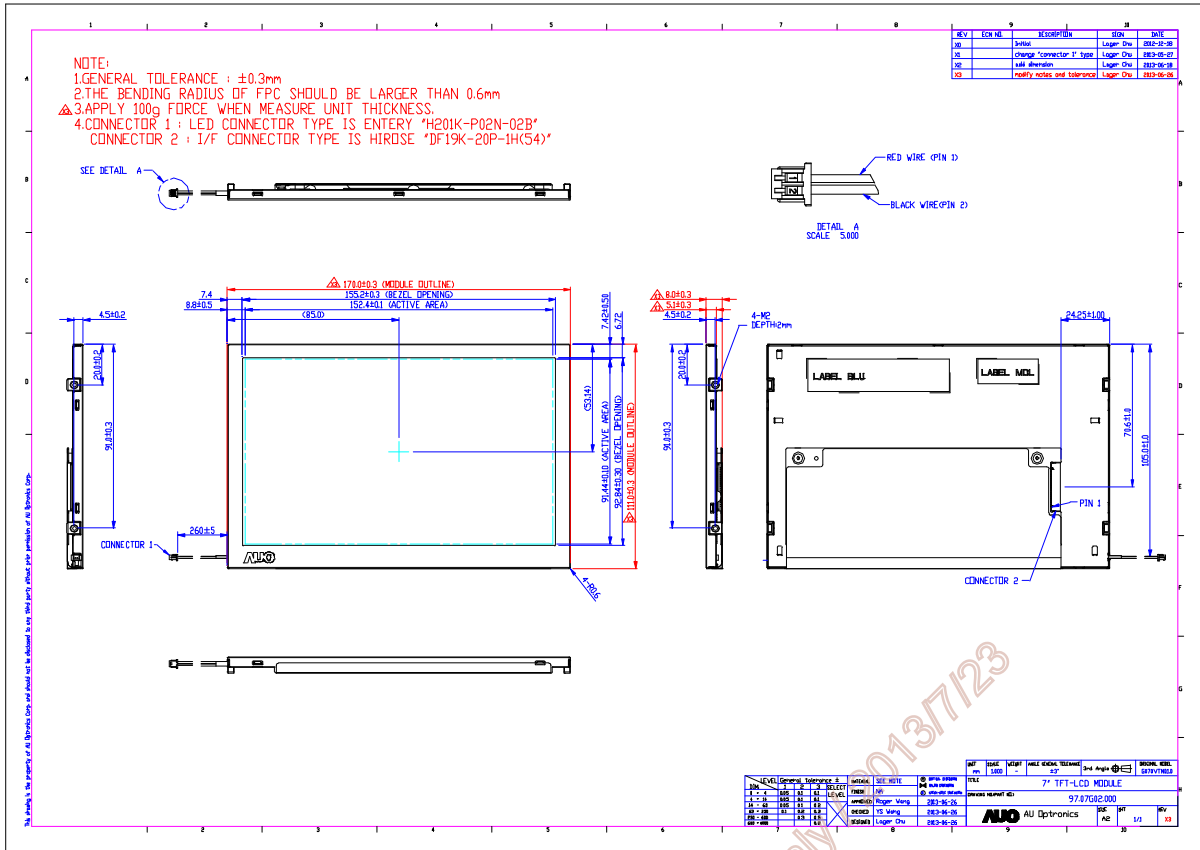
Note 4: According to EN61000-4-2, ESD class B: Some performance degradation allowed. No data lost

- Self-recoverable. No hardware failures.

AUO Confidential For DATAMODUL Internal Use Only 120137123

9. Mechanical Characteristics

9.1 LCM Outline Dimension



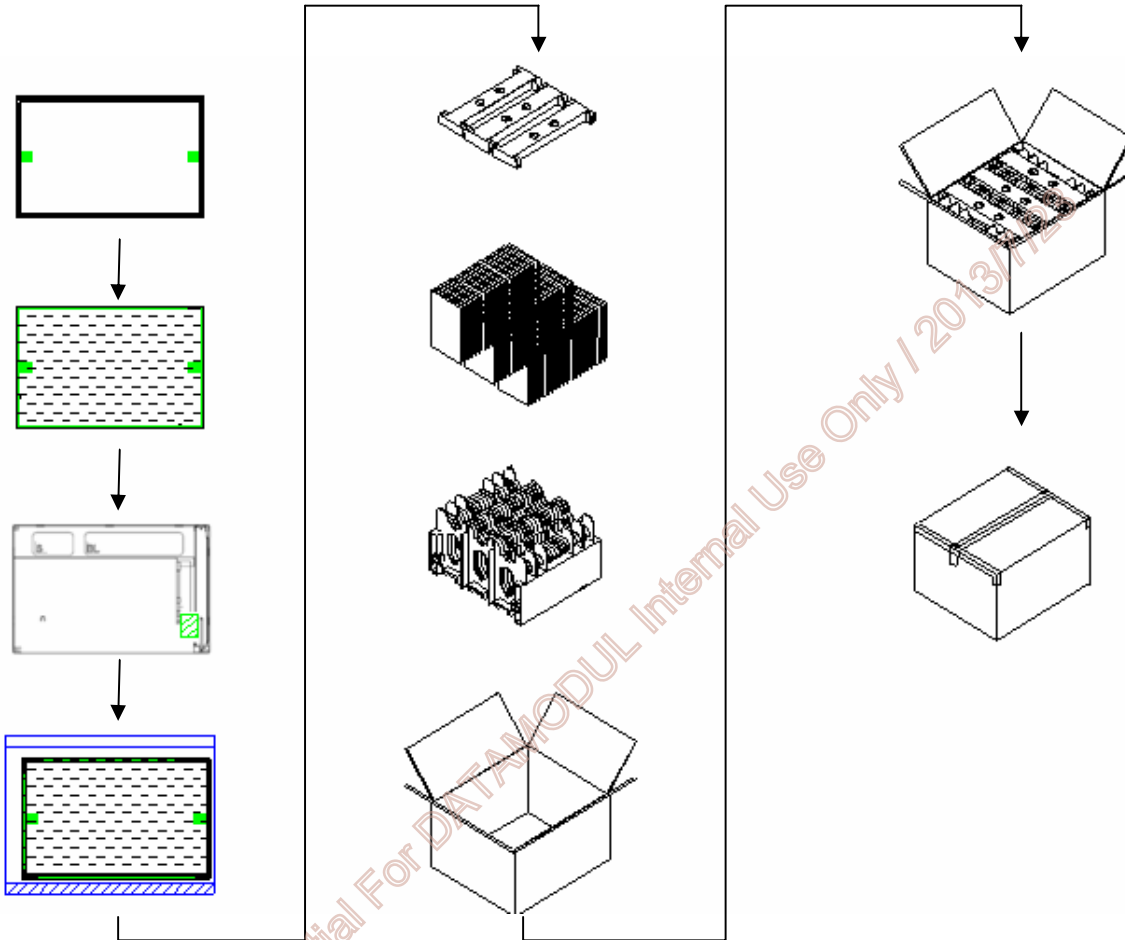
AUO Confidential For DATAMODUL Internal Use Only 137123

10. Label and Packaging

10.1 Shipping Label (on the rear side of TFT-LCD display)



10.2 Carton Package



Note:

1. Max. Capacity: 60pcs LCD Modules / per carton
2. Max. Weight: 14.4 kg / per carton
3. The outside dimension of carton is 434(L) mm x 377(W) mm x 264(H) mm

11 Safety

11.1 Sharp Edge Requirements

There will be no sharp edges or corners on the display assembly that could cause injury.

11.2 Materials

11.2.1 Toxicity

There will be no carcinogenic materials used anywhere in the display module. If toxic materials are used, they will be reviewed and approved by the responsible AUO toxicologist.

11.2.2 Flammability

All components including electrical components that do not meet the flammability grade UL94-V1 in the module will complete the flammability rating exception approval process.

The pRxINted circuit board will be made from material rated 94-V1 or better. The actual UL flammability rating will be pRxINted on the pRxINted circuit board.

11.3 Capacitors

If any polarized capacitors are used in the display assembly, provisions will be made to keep them from being inserted backwards.

11.4 National Test Lab Requirement

The display module will satisfy all requirements for compliance to:

UL 1950, First Edition

U.S.A. Information Technology Equipment

AUO Confidential For DATAMODUL Internal Use Only / 2013/7/23

DATA MODUL

DISPLAYS AND EMBEDDED SOLUTIONS



DATA MODUL Headquarters Munich

Landsberger Str. 322
D-80687 Munich - Germany
Phone: +49-89-56017-0
Fax: +49-89-56017-119
www.data-modul.com

Sales Office Hamburg

Borsteler Chaussee 51
D-22453 Hamburg - Germany
Phone: +49-40-42947377-0

Sales Office Duesseldorf

Fritz-Vomfelde-Str. 8
D-40547 Duesseldorf - Germany
Phone: +49-211-52709-0

Sales Office Scandinavia

Lundsmindevej 5
DK-6000 Kolding - Denmark
Phone: +45-75-224477

DATA MODUL FRANCE

7 rue Saint Christophe
F-60300 BARON - FRANCE
Phone: +33-3-44549699

DATA MODUL Italy, S.r.l.

Regus Center Senigallia
Via Senigallia 18/2
I-20161 Milano - Italy
Phone: +39-02-64672509

DATA MODUL Iberia, S.L.

c/ Adolfo Pérez Esquivel 3
Edificio Las Americas III Oficina 40
28230 Parque Empresarial
Las Rozas / Madrid - Spain
Phone: +34-916-366458

DATA MODUL Suisse GmbH

Stationsstr. 57
CH-8606 Nänikon - Switzerland
Phone: +41-44-94091-50

DATA MODUL Ltd. / UK

Collins Building
3 Vigo Place - Aldridge - Walsall
WS9 8UG - United Kingdom
Phone: +44-1922-457358

DATA MODUL Inc. / USA

275 Marcus Blvd, Unit K
Hauppauge, NY 11788 - USA
Phone: +1-631-951-0800